

VISIX™ V-Series 2MP Interior Mini Dome

The VX-2A-IMD-X2 is a fully functional indoor IP camera with advanced analytics capabilities. These cameras can be connected to a DVR or act as a standalone recording device.

The interior mini dome offers high-definition video at full 1920 x 1080 resolution for indoor video surveillance applications which require superior clarity and detail. Its many features include; dual-streaming of either H.264 or MJPEG compression; Micro SD card slot for local recording; and an unobtrusive dome design.

The embedded analytics use algorithms that automatically self-adjust, allowing the user to concentrate on the detection rules. This greatly simplifies the analytic process, requiring only a few mouse clicks to configure a detection rule. These advanced analytics allow for object classification, direction, people counting, dwell times, and occupancy counts.

When enabled, the embedded VIGIL Server software from 3xLOGIC allows the camera to be run as a stand-alone device recording video to the onboard memory card. This makes the camera compatible with the 3xLOGIC software suite including VIGIL Client, VIGIL VCM, VIGIL Mobile and VIGIL Cloud applications. Simple plug and play installation allows for access using a standard web browser, VIGIL Client, or your mobile device or tablet using our easy to use QR code quick setup.



Key Features and Benefits	
Resolution	2 MP (1920 x 1080)
Frame Rate	30 fps
Compression	H.264/MJPEG
Lens	3.0mm
On-Camera Storage	+
Standard Analytics	✓
Advanced Analytics	+
Vandal Resistance	IK09
ONVIF/PSIA Compliant	✓
Warranty	3-Year

+ Optional Component

CAMERA

Image Sensor:	1/2.8" SONY STARVIS CMOS sensor
Lens:	3.0mm Fixed-focal / F2.0 / Megapixel / HFoV 106.7°
Min. Illumination:	Color : 0.04 lux, BW : 0.006 lux (DSS On)
Auto Iris:	DC Drive
Day/Night:	Digital
Shutter Times:	1/2 second to 1/2000 second
WDR:	100 db

COMPRESSION STANDARD

Video Compression:	H.264, MJPEG
Dual Streams:	Yes

IMAGE

Max. Image Resolution:	1920(H) x 1080(V)
Frame Rate:	30 fps

FUNCTIONS

Local Storage:	Built-in Micro SD/SDHC Slot
Security:	Multi level access with password protection
Protocols:	TCP/IP, HTTP, DHCP, DNS, DDNS, mDNS, NTP, RTSP, RTSP, RTCP, RTP/TCP, RTP/UDP, SMTP, SNMP, ICMP, UPnP, IGMP, SSL, TLS, QoS
System Compatibility:	ONVIF

PHYSICAL

Working Temperature:	-0°C ~ 40°C (32°F ~ 104°F)
Humidity:	85% max - non condensing
Vandal Protection:	IK09
Dimensions (inches):	4.17" x 2.20" x 2.17"
Dimensions (mm):	105 x 56 x 55
Weight:	9.5 ounces / 270 g

ELECTRICAL

Power Supply:	PoE (IEEE 802.3af)
Power Consumption:	2.4W Max

INTERFACE

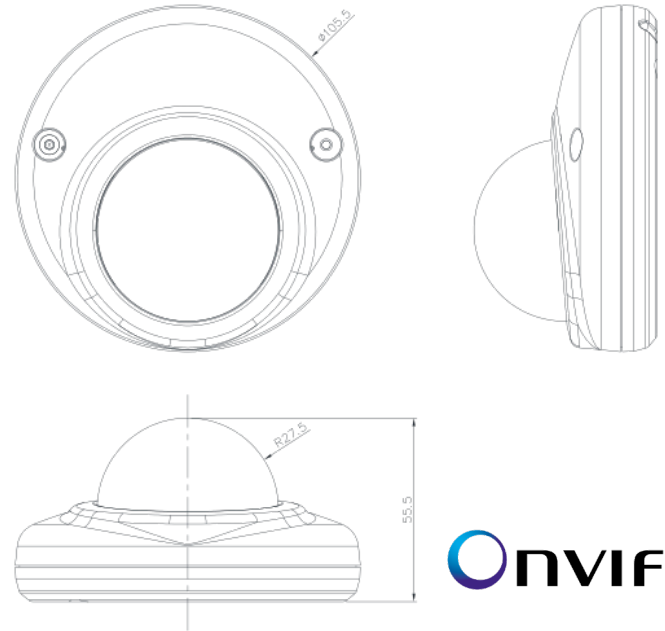
Communication:	1 RJ45 10M/100M Ethernet port
----------------	-------------------------------

CERTIFICATIONS

KC, FCC, CE, ROHS, IK09

WARRANTY

Three (3) Year Parts and In-house Labor Warranty
--



STANDARD ANALYTICS (INCLUDED)

- Detection Zones: Multi-segment Polygons and Lines
- On-screen Display: Real-time Display of Tracking
- Image stabilization
- Change of Scene Detection

ADVANCED ANALYTICS (OPTIONAL)

- Size-based Object Classification
- Detection Behavior; Direction, Stopping, Loitering
- Entering, Exiting, Appear, and Disappear Filters
- Speed Filters

PART NUMBERS

VX-2A-IMD-X2:	2MP IP Dome Camera with Standard Analytics
-S	VIGIL Server Stand-Alone Software License with 64GB SD Storage
-AS	Analytics License and Server Stand-Alone License
-A	Advanced Video Analytics

OPTIONS

VX-2AIMD-WM:	Wall Mount Bracket
VX-2AIMD-CM:	Ceiling Mount Bracket
VX-2AIMD-GB:	Gang Box Adapter
VX-2AIMD-PMC:	Pendant Mount Cap

The Advanced Analytics and Stand-Alone Server features can also easily be added to the camera after installation. Contact your 3xLOGIC Representative for further details.