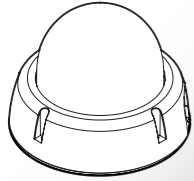


3X LOGIC



VISIX VA-2MD-OD-RIWH-02 2MP Outdoor HD Analog Dome Camera

Quick Start Guide

Ver. 1.0 / 2020.04

Before installing and using the camera, please read this manual carefully.

Be sure to keep it handy for future reference.



a. This device complies with Part 15 of the FCC Rules. Operation is subject to the following two conditions:
1. This device may not cause harmful interference.
2. This device must accept any interference received, including interference that may cause undesired operation.
Note: This equipment has been tested and found to comply with the limits for a Class A digital device, pursuant to part 15 of the FCC Rules. These limits are designed to provide reasonable protection against harmful interference when the equipment is operated in a commercial environment. This equipment generates, uses, and can radiate radio frequency energy and, if not installed and used in accordance with the instruction manual, may cause harmful interference to radio communications. Operation of this equipment in a residential area is likely to cause harmful interference in which case the user will be required to correct the interference at his own expense.

b. This device complies with CAN ICES-3 (A)/NMB-3(A)
c. This device is UL and ULC E467574 (Safety) certified.
d. This device complies with CE 2014/30/EU – EMC Directive, 2015/863/EU RoHS3 as part of 2011/65/EU RoHS
e. This device complies with WEEE

Safety Information

CAUTION
RISK OF ELECTRIC SHOCK.
DO NOT OPEN

CAUTION:
TO REDUCE THE RISK OF ELECTRIC SHOCK, DO NOT REMOVE COVER (OR BACK) NO USER SERVICEABLE PARTS INSIDE. REFER SERVICING TO QUALIFIED SERVICE PERSONNEL.

This symbol indicates that dangerous voltage consisting a risk of electric shock is present within this unit.

This exclamation point symbol is intended to alert the user to the presence of important operating and maintenance (servicing) instructions in the literature accompanying the appliance.

WARNING

To prevent damage which may result in fire or electric shock hazard, do not expose this appliance to rain or moisture.

WARNING

- Be sure to use only the standard adapter that is specified in the specification sheet. Using any other adapter could cause fire, electrical shock, or damage to the product.
- Incorrectly connecting the power supply or replacing battery may cause explosion, fire, electric shock, or damage to the product.
- Do not connect multiple cameras to a single adapter. Exceeding the capacity may cause abnormal heat generation or fire.
- Securely plug the power cord into the power receptacle. Insecure connection may cause fire.
- When installing the camera, fasten it securely and firmly. A falling camera may cause personal injury.
- Do not place conductive objects (e.g. screw drivers, coins, metal things, etc.) or containers filled with water on top of the camera. Doing so may cause personal injury due to fire, electric shock, or falling objects.

- Do not install the unit in humid, dusty, or sooty locations. Doing so may cause fire or electric shock.
- If any unusual smells or smoke come from the unit, stop using the product. In such case, immediately disconnect the power source and contact the service center. Continued use in such a condition may cause fire or electric shock.
- If this product fails to operate normally, contact the nearest service center. Never disassemble or modify this product in any way.
- When cleaning, do not spray water directly onto parts of the product. Doing so may cause fire or electric shock.

CAUTION

- Do not drop objects on the product or apply strong shock to it. Keep away from a location subject to excessive vibration or magnetic interference.
- Do not install in a location subject to high temperature low temperature or high humidity. Doing so may cause fire or electric shock.
- If you want to relocate the already installed product, be sure to turn off the power and then move or reinstall it.
- Remove the power plug from the outlet when there is a lightning. Neglecting to do so may cause fire or damage to the product.
- Keep out of direct sunlight and heat radiation sources. It may cause fire.
- Install it in a place with good ventilation.
- Avoid aiming the camera directly towards extremely bright objects such as sun, as this may damage the image sensor.
- Apparatus shall not be exposed to dripping or splashing and no objects filled with liquids, such as vases, shall be placed on the apparatus.
- The Mains plug is used as a disconnect device and shall stay readily operable at any time.

Important Safety Instructions

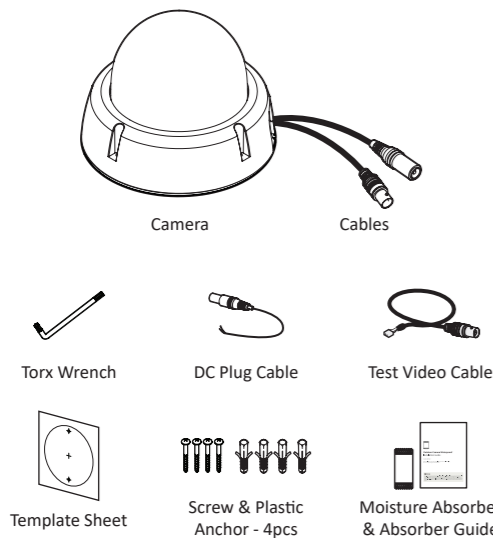
WARNING

- Read these instructions.
- Keep these instructions.
- Heed all warnings.
- Follow all instructions.
- Do not use this apparatus near water.
- Clean only with dry cloth.
- Do not block any ventilation openings. Install in accordance with the manufacturer's instructions.
- Do not install near any heat sources such as radiators, heat registers, or other apparatus (including amplifiers) that produce heat.
- Do not defeat the safety purpose of the polarized or grounding-type plug. A polarized plug has two blades with one wider than the other. A grounding type plug has two blades and a third grounding prong. The wide blade or the third prong is provided for your safety. If the provided plug does not fit into your outlet, consult an electrician for replacement of the obsolete outlet.
- Protect the power cord from being walked on or pinched particularly at plugs, convenience receptacles, and the point where they exit from the apparatus.
- Only use attachments/accessories specified by the manufacturer.
- Use only with cart, stand, tripod, bracket, or table specified by the manufacturer, or sold with the apparatus.
- Unplug this apparatus when a cart is used. Use caution when moving the cart/apparatus combination to avoid injury from tip-over.
- Refer all servicing to qualified service personnel. Servicing is required when the apparatus has been damaged in any way, such as power supply cord or plug is damaged, liquid has been spilled or objects have fallen into the apparatus, the apparatus has been exposed to rain or moisture, does not operate normally, or has been dropped.



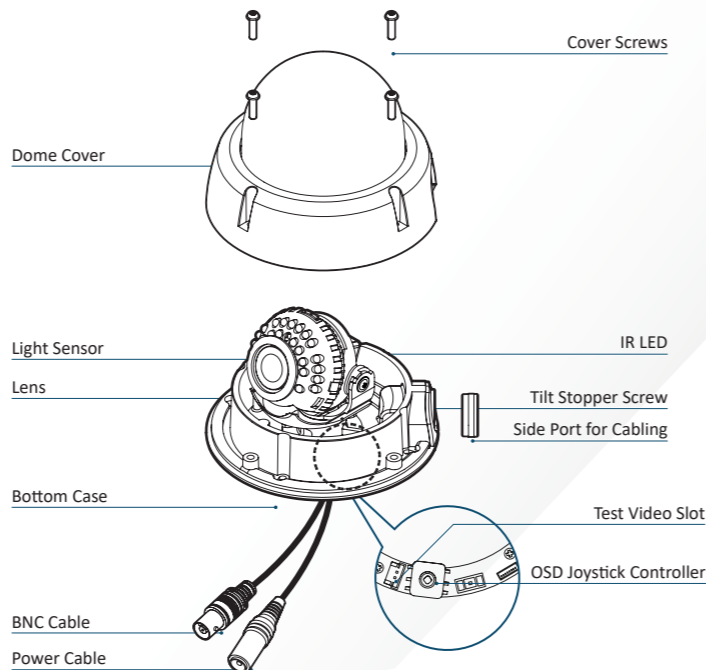
Step 1. Product & Accessories

Please check if all the camera and accessories are included in the package.



NOTE: The 'Test Video Cable' is used to test the camera by connecting to a portable display.

Step 2. Part Names



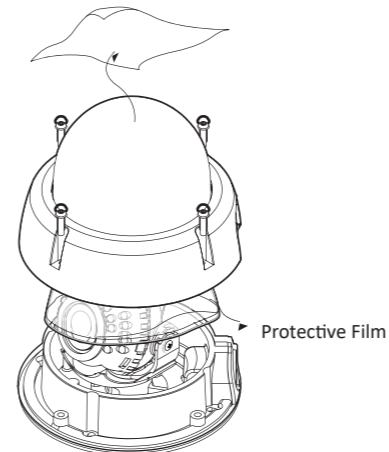
Step 3. Disassemble the Camera

Before installing your camera, you have to read the following cautions.

- You have to check whether the location can bear five times of the weight of your camera.
- Don't let the cable be caught or pinched and do not allow the electric line cover to be damaged. Otherwise it may cause a breakdown or fire.
- When installing your camera, don't allow any person to approach the installation site. If you have any valuables under the installation site, move them.

Disassembling

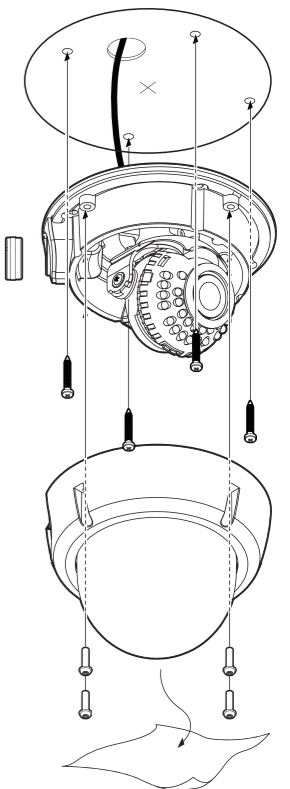
- Detach the dome cover by torx wrench provided from bottom case before installing.
- Remove the protective film before placing dome cover on to the bracket.
- Remove the dome cover outer protection sticker.



NOTE: If the front cover is cross threaded or not correctly tightened the camera housing will not be weatherproof.

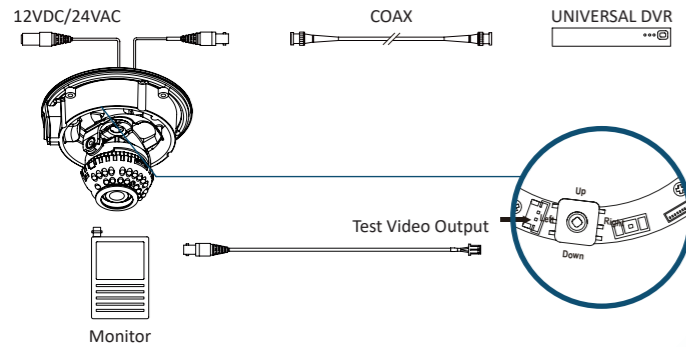
Step 4. Installation

- Use the camera or mounting template to mark and drill the necessary holes in the wall or ceiling.
- Pull wires through and make connections.
- Using four included screws, mount and secure the camera to the wall or ceiling.
- Secure the camera's cover dome onto the camera base and remove the protecting film to complete the installation.
NOTE: Before you assemble the dome cover, you have to adjust the direction of shield cover by turning the dome.



Step 5. COAX Video Output

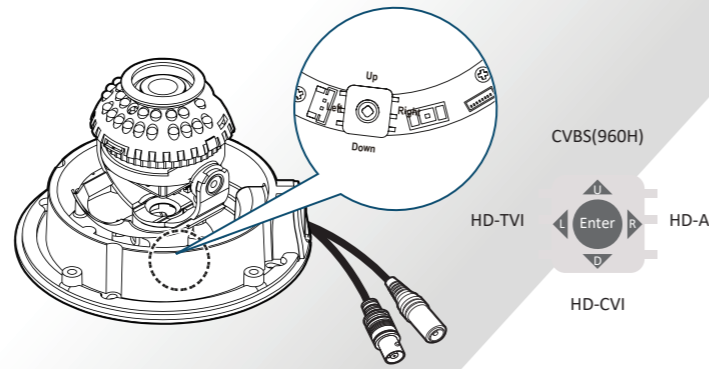
Use the diagram below to connect to an Universal DVR or CRT Monitor properly.



- Power Connection - 12VDC/24VAC Dual Voltage (Auto Polarity Detection and Protection)
- All cameras are equipped with a test video output for on-site configuration.

NOTE: When installing analog cameras with a VIGIL Server, each device will occupy the camera channel in the VIGIL Server software that corresponds with the input the device has been connected to on the system's capture card.

Step 6. Image Adjustment

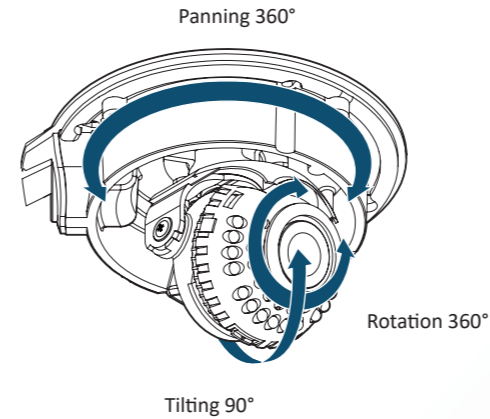


- **OSD Joystick** : The OSD settings menu (outline available in Step 7) and video output mode can be adjusted with the OSD joystick. The default video output mode is HD-TVI

Video Output Mode Adjustment

Switches to HD-TVI mode when pushing OSD Joystick to left 5sec or longer.
Switches to HD-A mode when pushing OSD Joystick to right 5sec or longer.
Switches to CVBS mode when pushing OSD Joystick to up 5sec or longer.
Switches to HD-CVI mode when pushing OSD Joystick to down 5sec or longer.

Pan / Tilt / Rotate



Manual Zoom and Focus

To manually control the camera's zoom and focus capability, the camera's lens must be set to *Manual* mode. For instructions, see the steps below:

1. Access the camera's OSD Menu by connecting the camera to a monitor using the test video cable.
2. Use the camera's OSD joystick to initialize the OSD menu and navigate to *Exposure>Lens>2-Motor*.
3. Set the AF Mode to **Manual**.
 - i. For Zoom, navigate to *Zoom Set* and push the OSD joystick left (Wide) or right (Tele) to control the camera's zoom.
 - ii. For Focus, navigate to *Focus Set* and push the OSD joystick left (Near) or right (Far) to manually focus the camera.

Step 7 cont'd

MOTION

MOTION	OFF / ON
DET WINDOW	
DET TONE	0 ~ 4
MDRECT FILL	OFF / ON
SENSITIVITY	0 ~ 10
MOTION OSD	OFF / ON

SETUP

COMMUNICA	
CAM TITLE	OFF / RIGHT UP / LEFT DOWN
IMAGE RANGE	FULL / COMP / USER
FREQ	50Hz / 60Hz

PRIVACY

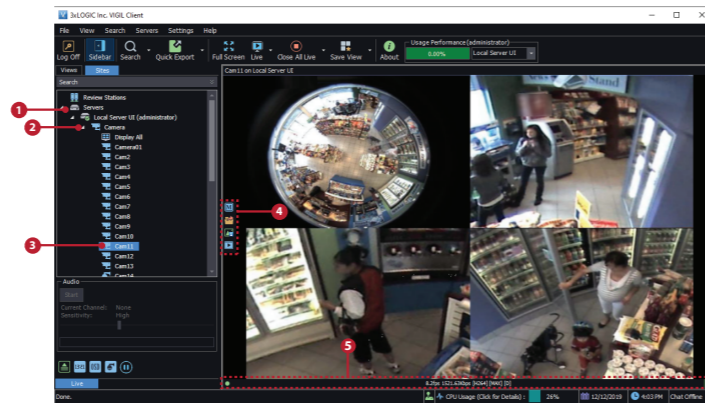
PRIVACY	OFF / ON
ZONE NUM	0 ~ 15
ZONE DISP	OFF / ON
H-POS	0 ~ 59
V-POS	0 ~ 33
H-SIZE	0 ~ 60
V-SIZE	0 ~ 34
TRANS	0 ~ 3

EXIT

SAVE & EXT	
------------	--

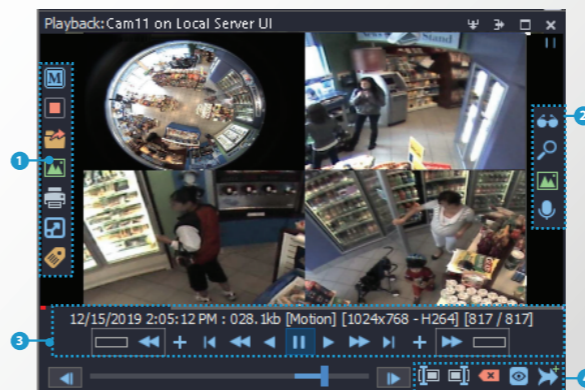
Step 8. Viewing Camera in VIGIL Client

After adding the camera to VIGIL Server, 3xLOGIC recommends VIGIL Client for viewing live and playback. Client's powerful tool set can be leveraged by users to thoroughly and quickly review camera footage and other data collected by a VIGIL Server. After adding a VIGIL Server to VIGIL Client, refer to the steps in this section for details on viewing the camera's footage in VIGIL Client.



1. After launching VIGIL Client, extend the **Servers** node located in the Sites tab treeview then double-click the desired VIGIL Server to reveal available devices and tools.
2. Expand the **Camera** node to reveal the VIGIL Server's cameras.
3. Double-click the desired camera. The camera's live stream will be automatically displayed in the viewing area.
4. Live Edge Controls instantly grant the user access to common tools such as Capture Still Image, Instant Replay and Stream Type Selection
5. Stream information such as FPS rate, bitrate and CODEC type are listed when the cursor hovers over the bottom edge of the frame.
6. To warp the camera footage into quadrants, right-click in the viewer and select **360 Dewarping > 360 View and Source Video**.
 - NOTE:** 360 Dewarping must be selected as the camera's *Camera Control Type* in VIGIL Server camera setup settings. A VIGIL 360 Dewarping license is also required.

Select Instant Replay from the Live Edge Controls to open the last 5 minutes of footage from the camera or perform a playback search to review a custom timerange of playback. A Playback viewer featuring the requested footage will deploy.



For further details on reviewing and exporting playback and other advanced features such as audio recording and two-way audio talk, POS Data OSD and more, please visit www.3xlogic.com and consult the product documentation library for VIGIL Client-related support documentation.

1. Playback Left-Edge controls include Export Video or Stills, Stream Mode Selection and Screen Record, etc...
2. Right-Edge Controls include more tools such as Smart Search, Audio and Zoom Controls and Image Control.
3. Stream information and standard playback controls are accessible at the bottom of the frame.
4. Located next to the scrub bar, footage markers and export tools can be used to quickly narrow down and export portions of interest within larger video clips.

Step 7. OSD Menu Tree

NOTE : Image settings can be adjusted using the built-in OSD joystick
Use the joystick to deploy the OSD Menu and navigate menu items. See the VISIX Gen III HD Analog OSD Menu Guide (available at www.3xlogic.com) for more details on menu options.

EXPOSURE		DAY & NIGHT	
LENS	MANUAL / AUTO	MODE	AUTO / COLOR / BW / EXTERN
BACKLIGHT	OFF / HME / BLC / WDR	CDS THRES	0 ~ 20
DRC	OFF / LOW / MIDDLE / HIGH	CDS MARGIN	0 ~ 20
DEFOG	OFF / ON	EXTERN SW	LOW / HIGH
AGC	0 ~ 10	EXT LED	OFF / AUTO
		DELAY	LOW / MIDDLE / HIGH

COLOR		FUNCTION	
WHITE BAL.	AUTO / AUTO-EX / PRESET / MANUAL	SHARPNESS	0 ~ 10
COLOR GAIN	0 ~ 20	GAMMA	0.45 ~ 0.75
		MIRROR	OFF / ON

Disposal of Old Appliance



1. When this crossed-out wheel bin symbol is attached to a product it means the product is covered by the European Directive 2002/96/EC.
2. All electrical and electronic products should be disposed of separately from the municipal waste stream in accordance with laws designated by the government or the local authorities.
3. The correct disposal of your old appliance will help prevent potential negative consequences for the environment and human health.
4. For more detailed information about disposal of your old appliance, please contact your city office, waste disposal service or the shop where you purchased the product.

3xLOGIC

11899 Exit 5 Parkway, Suite 100, Fishers, IN 46037, USA
helpdesk@3xlogic.com | www.3xlogic.com