

infinias® High Density Programmable 32 - Input/Output Device

The high density I/O panel is PoE (Power over Ethernet) enabled and offers up to 32 total programmable inputs/ outputs. Each I/O can be configured to be an input or an output, so you can create a solution that suits your specific needs.

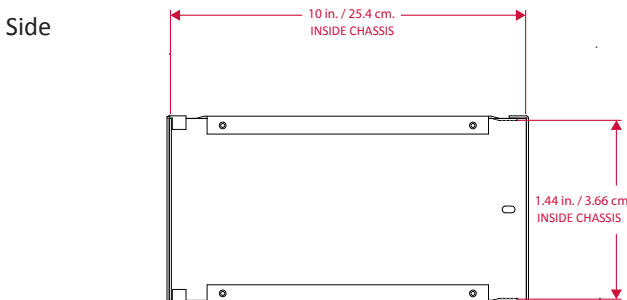
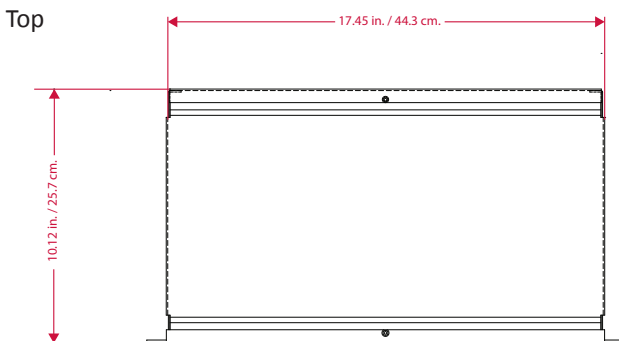
The I/O device's 1U chassis design fits easily inside standard 1U racks or cabinets for easy installation. The I/O device also features DHCP IP addressing, plus multiple configuration options with the ability to configure each I/O port independently as an input or an output and hide unused I/O's for simplified management.

With infinias PROFESSIONAL, you have the ability to automatically discover the I/O panel on the configured subnet, and present all of the I/O devices for configuration in the peripherals section for easy configuration and device management. infinias PROFESSIONAL also enables you to give each device and I/O a unique name for easy identification, which is especially beneficial for building rules into features such as for elevator control.



Key Features & Benefits

- 32 total programmable inputs/outputs
- PoE-enabled
- 1U rack-mountable
- Automatic device discovery and unique naming capabilities with infinias PROFESSIONAL
- Ideal for elevator control or input monitoring



GENERAL

Product Name:	infinias High Density Programmable 32 - Input/Output Device
SKU:	S-IO32-RM

PHYSICAL

Weight:	9.45 lbs / 4.29 kg
Dimensions:	1U
Width:	17.45 in. / 44.3 cm.
Depth:	10.12 in. / 25.7 cm.
Height:	1.44 in. / 3.66 cm.

ELECTRICAL

Power Supply:	PoE (802.3af)
----------------------	---------------