

VISIX 2MP Full Body (No lens) with Audio/Alarm I/O and True WDR

This full body 2MP IP camera is the perfect combination of form and function providing dual-streaming high-definition video for network video surveillance applications requiring superior clarity and detail in varying lighting conditions.

The VX-2M-F-AW is packed with all the features you might need for nearly any application including: two-way audio; alarm input/output; motion detection; low-light day/night functionality; SD card slot for local recording; and compatibility with a wide variety of standardized network protocols.

This camera is designed to continue functioning at top performance at temperatures as low as -30°C (-22°F) and as high as 50°C (122°F) allowing a wide range of applications. Superior compatibility with all VIGIL™ products allowing the best performance and capabilities possible.

Day/Night operation enables use in varying lighting conditions down to 0.02 Lux in color capture (0 Lux B/W) providing better night time video capture. The standard full body format is compatible with most mounting hardware and enclosures allowing easy and secure installation in a wide variety of applications.

When coupled with the VIGIL™ Series of digital video recorders and Video Management System (VMS) software, superior point-to-point hardware compression and decompression allows for maximum performance of streamed live video providing better video quality, more concurrent streams and a lower overall hit to CPU performance.



Key Features and Benefits

Resolution (Megapixels)	2
H.264/H.265/MJPEG	✓
Wide Dynamic Range	120db
4 Year Warranty	✓
Base Analytics	✓

Typical Use Cases



**DEALERSHIPS &
RENTAL YARDS**



**WAREHOUSE &
DISTRIBUTION**



INDUSTRIAL

What's in the Box

Torx Wrench

Camera

Image Sensor	1/2.8" 2.13M CMOS
Lens	C / CS Mount
Motorized?	Yes
Min Illum	0.02Lux, (F1.4), 0Lux with IR (F1.4)
Shutter Time	1/30(25)-1/30000
Day/Night	TDN (True Day & Night)
WDR	120dB

Compression Standard

Video Compression	H.264, H.265, MJPEG
Bit Rate	100Kbps ~ 10Mbps
Video Streams	1080p30 + D1(704x480 or 704x576) p30 with H.264, H.265 + MJPEG

Image

Max Image Resolution	1920 x 1080
Frame Rate	30fps

Functions

Base Analytics	Tamper Detection, Presence Filters (Advanced Motion), Object Tracker, Network Disconnection, Temperature Critical
Local Storage	Micro SD / SDHC / SDXC
SD Card Capacity	128GB
Audio Compression	G.711
Security Protocols	HTTPS/SSL, IP filtering, 802.1x, Digest Authentication, TCP/IP, UDP, AutoIP, RTP(UDP/TCP), RTSP, NTP, HTTP, HTTPS, SSL, DNS, DDNS, DHCP, FTP, SMTP, ICMP, SNMPv1/v2/v3(MIB-2), ONVIF
System Compatibility	CGI API, ONVIF (Profile S)

Physical

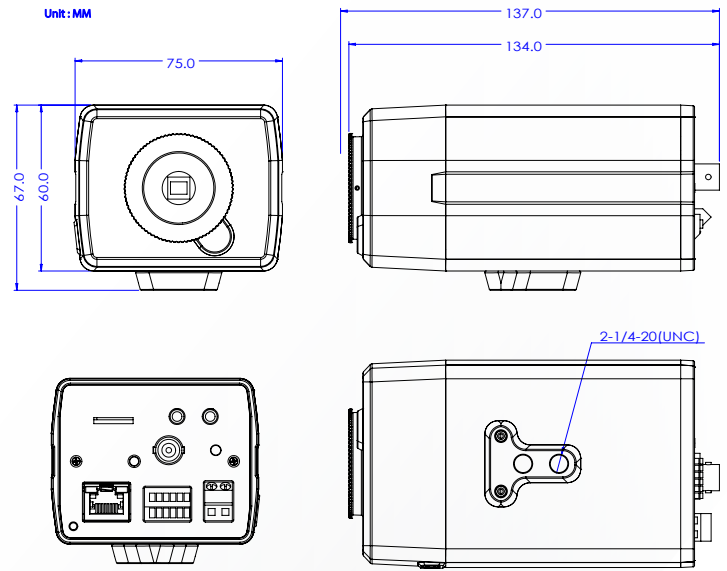
Operating Conditions	-30°C ~ 50°C (-22°F ~ 122°F)
Humidity	10~90% RH (non-condensing)
Housing Material	Aluminum
Dimensions (D x H)	137.0 mm x 75.0mm x 67.0mm
Weight	0.6kg

Electrical

Power Supply	DC DC12V / POE IEEE 802.3af
Power Consumption	DC12V Max 3.5W PoE Max 5.0W

Certifications and Compliance

FCC Part 15, Subpart B, Class A
 CAN ICES-3 (A)/NMB-3(A)
 UL and ULC Safety
 CE
 NDAA Compliant



Interface

Communication	RJ45(10/100BASE-T)
Alarm Input	1
Alarm Output	1
Video Output	1 CVBS 1.0V p-p(75ohm)
Audio Input	1 (Built in Mic)
Audio Output	1

Part Number

VX-2M-F-AW	Base Camera
VX-2M-F-AW-A	Add Advanced Analytics License *

Warranty

Four (4) years

Recommended Mounts

N/A

* NOTE: - A advanced analytics license can be added to a Base Camera at any time to unlock advanced analytics functionality. Speak to a 3xLOGIC Sales Associate for more info.