

## VISIX 5MP, Fixed 4mm Lens, Indoor/Outdoor Vandal Proof Mini-dome with IR, True WDR, and Mic. IP67/IK10 rated

The VX-5M4-MD-IW is 5 Megapixel, indoor/outdoor, mini-dome IP camera. This camera is IK10 vandal resistant, has 120dB WDR and built-in IR making the VX-5M4-MD-IW a versatile camera fitting most every entry-level as well as more complex indoor/outdoor installation requirements.

The VX-5M4-MD-IW is compatible with the entire VIGIL Software Suite, including direct access through VIGIL Client and our mobile app View Lite II, as well as with VIGIL Central Management for remote health monitoring and notification.

The VX-5M4-MD-IW also supports dual streaming. This combined with VIGIL Server's Substream Motion Detection and RapidStream technologies allows the camera to be viewed remotely in both live and playback modes with minimal impact on your network.



### Typical Use Cases



**K-12  
EDUCATION**



**WAREHOUSE &  
DISTRIBUTION**



**SMALL/MEDIUM  
BUSINESS**

### Key Features and Benefits

<b>Lens</b>	<b>4mm Fixed</b>
<b>Resolution (Megapixels)</b>	<b>5</b>
<b>Infrared(Low-Light, No-Light)</b>	✓
<b>Audio Recording</b>	✓
<b>H.264/H.265/MJPEG</b>	✓
<b>Digital Wide Dynamic Range</b>	✓
<b>IK10 Impact-Resistant(Vandal-Proof Camera)</b>	✓
<b>IP67 Weather-Resistant(Outdoor Camera)</b>	✓
<b>4 Year Warranty</b>	✓

### What's in the Box

**Template Sheet**  
**Torx Wrench**  
**Waterproof Cap & Gasket**  
**Screws & Anchors**  
**Mount Bolts & Nuts**

**Camera**

Image Sensor:	1/2.8" 5.14M CMOS (Sony Starvis)
Lens	4 mm, F2.0
Motorized?	No
Angle of View	D : 106.6°, H : 82.3°, V : 58.8°
Min Illum	0.06 Lux, 0Lux with IR (F2.0)
IR Range	30m
Shutter Time	1/15 ~ 1/32000
Day/Night	TDN (True Day & Night)
WDR	WDR - 120dB

**Compression Standard**

Video Compression	H.264, H.265, MJPEG
Bit Rate	100Kbps ~ 10Mbps
Video Streams	2592x1944p30 + 480p30

**Image**

Max Image Resolution	2592 x1944
Frame Rate	30fps

**Functions**

Alarm Triggers	Motion Alarm, Network disconnection, Temperature critical
Local Storage	Micro SD / SDHC / SDXC
SD Card Capacity	128GB
Security	HTTPS(SSL), IP filtering, 802.1x, Digest Authentication
Protocols	TCP/IP, UDP, AutoIP, RTP(UDP/TCP), RTSP, NTP, HTTP, HTTPS, SSL, DNS, DDNS, DHCP, FTP, SMTP, ICMP, SNMPv1/v2/v3(MIB-2), ONVIF
System Compatibility	CGI API, ONVIF (Profile S)

**Physical**

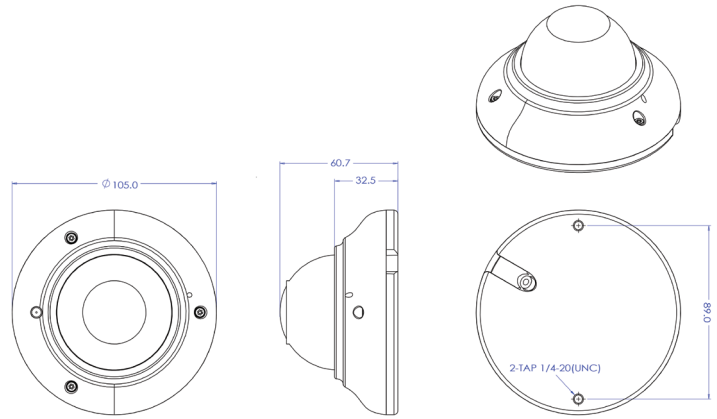
Operating Conditions	-30°C ~ 50°C (-22°F ~ 122°F)
Humidity	10~90% RH (non-condensing)
Weather Proof Rating	IP67
Impact Protection	IK10
Housing Material	Aluminum
Dome Material	Lexan 143R
Dimensions (D x H)	Ø105 x 60.7 mm
Weight	0.36kg

**Electrical**

Power Supply	DC DC12V / POE IEEE 802.3af class2
Power Consumption	DC12V Max 6W / PoE Max 7.2W

**Certifications and Compliance**

FCC Part 15, Subpart B, Class A  
 CAN ICES-3 (A)/NMB-3(A)  
 UL and ULC Safety  
 CE  
 NDAA Compliant



**Interface**

Communication	RJ45(10/100BASE-T)
Audio In	On-Board Mic

**Part Number**

Part Number: VX-5M4-MD-IW

**Warranty**

Four (4) years

**Recommended Mounts**

VX-PM-BC11	Pendant Mount
VX-WM-BW11	Wall Mount
VX-CM-BC04	Corner Mount
VX-POLE-BP04	Pole Mount
VX-GP-01	Gang Plate Mount
VX-JB-BJC04	Junction Box