

infinias® Elevator Control 16 Channel Base Unit

The base unit (S-CTRL-16) features all the intelligence of an eIDC, but with an additional 16 programmable relay outputs. Cloud friendly, this unit is tightly integrated with the new elevator control features in the infinias software allowing all elevator logic to be executed locally on the device so it does not miss a beat if the network should go offline.

An expansion chassis base (S-CTRL-EX-BASE) allows the addition of relays and/or inputs up to a total of 64 I/O's in total. After purchasing the expansion chassis, adding additional inputs (S-CTRL-EX-INPUT) and relays (S-CTRL-EX-RELAY) is as simple as ordering and installing the boards.

Leveraging seamless integration with infinias' new elevator control features, the proven dependability of the eIDC and the additional functionality of multiple inputs and relays makes the S-CTRL-16 an affordable yet powerful device to be used in any number of environments, regardless of size or other restrictions.



Key Features & Benefits

- 24V Power supply provided to power the relay board
- The eIDC (included) can be optionally powered via PoE or by the provided power supply
- 16x - 5A 250V AC relays
- Optional 16 input board
- Supports 255 privilege schedules and up to 4 different floor schedules
- Each group will have one schedule across all floors accessible in a bank

PHYSICAL

Weight:	9.7 lbs / 4.4 kg
Dimensions:	1U
Width:	17.45 in. / 44.3 cm.
Depth:	10.12 in. / 25.7 cm.
Height:	1.44 in. / 3.66 cm.

PRODUCT NUMBERS

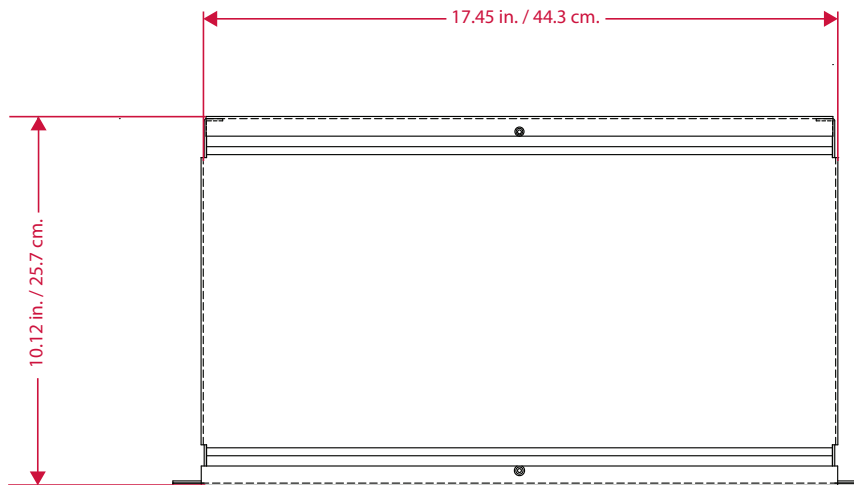
S-ECTRL-16	infinias Elevator Control 16 Channel Base Unit
S-ECTRL-EX-BASE	infinias Elevator Control Expansion Base Chassis
-INPUT	Add 16 Input Channels (Max 64)
-RELAY	Add 16 Relay Channel (Max 64)

ELECTRICAL

Power Supply:	24V, PoE (802.3af)
----------------------	--------------------

S-ECTRL-EX-BASE is required for additional INPUT and RELAY boards. Additional INPUT and RELAY boards can be combined for up to a maximum of 64 channels. Contact your 3xLOGIC Representative for details.

Top



Side

