

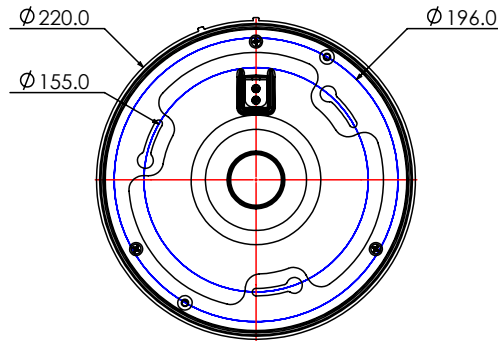
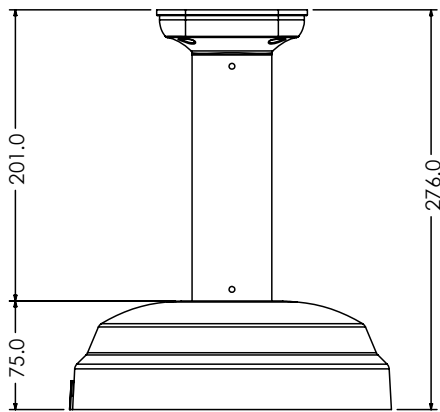
VISIX Pendant Mount - VX-PM-BC15

Mount Specifications

Material	Aluminum
Color	White
Dimensions	220mm x 276mm
Weight	1300g



VX-JB-BCJ06 Dimensions



Unit: mm

