

# VISIX VX-5M622-MB-RIAW-X

VISIX 5MP OUTDOOR BULLET WITH MOTORIZED ZOOM (6~22MM), IR, AUDIO, ALARM I/O AND EDGE BASED DEEP LEARNING ANALYTICS.



## Key Features

- » 5MP Resolution
- » Remote Motorized Lens 6~22mm
- » IP67 Rated
- » IK10 Impact Protection
- » H.265, H.264, MJPEG Codecs
- » 4 Year Warranty
- » NDAA Compliant
- » Base functionality as EBDL Analytics Camera or ANPR Solution w/Optional License
- » Edge Based Deep Learning Analytics:
  - Object Classification (Person, Vehicle, Object)
  - Accurate in Dense and Busy Scenes\
- » Optional ANPR Functionality - Full Integration with VIGIL v13.0 ANPR Functionality for Search, Notification, and Access Control by License Plate. Includes MMCR (Make, Model, Color) as Secondary Search Criteria.

## PRODUCT NUMBERS

Available Units	Description
<b>VX-5M622-MB-RIAW-X</b>	Base Camera - VISIX 5MP Outdoor Bullet with Motorized Zoom (6~22mm), IR, Audio, Alarm I/O and Edge Based Deep Learning Analytics.
<b>VX-5M622-MB-RIAW-X-ANPR</b>	VISIX 5MP Outdoor Bullet with Motorized Zoom (6~22mm), IR, Audio, Alarm I/O and Edge Based Deep Learning Analytics. Includes Automatic Number Plate Recognition / License Plate Capture Plugin

## Available Mounts



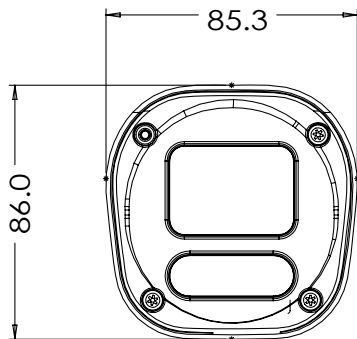
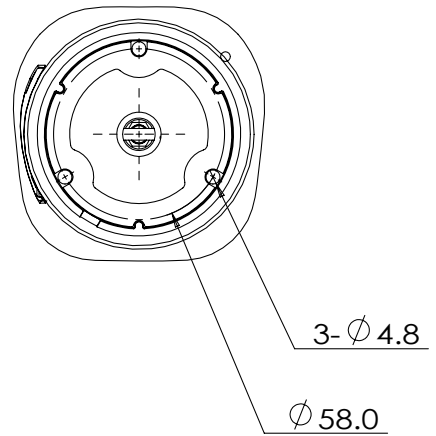
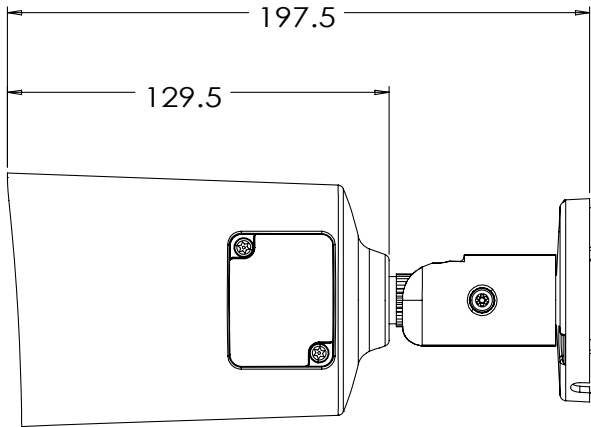
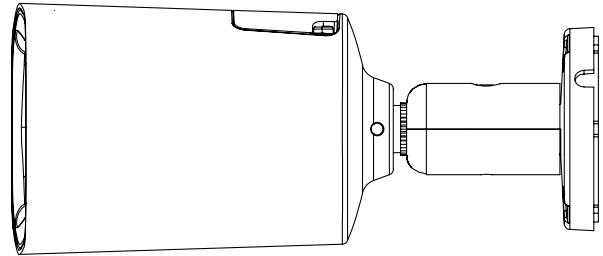
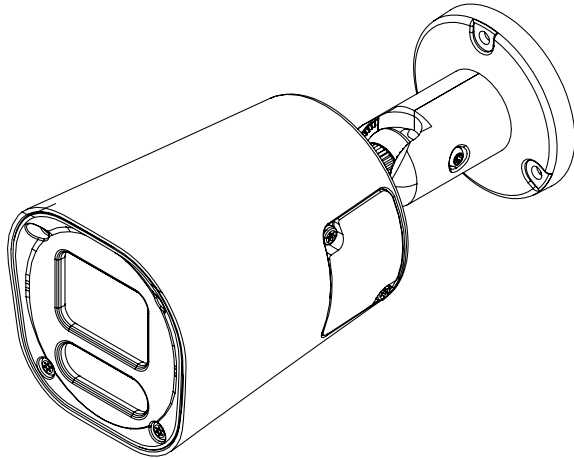
**VX-JB-BJC07**

Bullet Junction Bracket

Hardware			
<b>Image Sensor</b>	1/2.8" 5.17M(STV2) CMOS	<b>Sensor Max Resolution</b>	2592(H) X 1944(V)
<b>Lens</b>	6~22mm	<b>Frame Rate</b>	30fps
<b>Aperture</b>	F1.6	<b>Operating Temperature / Cold Start?</b>	-20°~ 50° / No
<b>Lens Type</b>	Motorized	<b>Operating Humidity</b>	10-90% RH (Non-Condensing)
<b>Angle of View</b>	D:20.7°~49.6°, H:16.5°~39.2°, V:12.4°~29.2°	<b>Impact Protection</b>	IK10
<b>MIN. Illumination</b>	0.05Lux, 0Lux with IR (F1.6)	<b>IP Rating</b>	IP67
<b>S/N Ratio</b>	50db	<b>Scanning Mode</b>	Progressive Scan
<b>IR Distance</b>	37m (120 ft)	<b>Pan / Tilt / Zoom</b>	Zoom: x3.6 Optical
<b>IR LEDs</b>	H3IR	<b>Material</b>	Aluminum-Die Casting
<b>Shutter Speed</b>	Auto / Manual (1/15 ~ 1/32000) Anti-Flicker Slow Shutter (1/2,1/3,1/5,1/6,1/7.5, 1/10)	<b>Dimensions (W x D x H)</b>	197.5mm x 86mm
<b>Day &amp; Night</b>	TDN (True Day & Night)	<b>Weight</b>	0.97kg
<b>Wide Dynamic Range (WDR)</b>	120dB, WDR (2x)	<b>Storage</b>	microSD/SDHC/SDXC : 1TB max.
<b>Certifications</b>	FCC Part 15, Subpart B, Class A CAN ICES-3 (A)/NMB-3(A) UL and ULC Safety CE NDAA Compliant	<b>Power supply</b>	DC12V (Adapter is not included) PoE IEEE 802.3af Class3
<b>Ethernet</b>	RJ45 (10/100Base-T)	<b>Power consumption</b>	DC12V Max 8.8W PoE Max 11.1W
<b>Internal Mic</b>	No	<b>Alarm In / Out</b>	1/1 Bare Wire
<b>Audio In / Out</b>	1[1.0Vms, 3K ohm]/1	<b>Audio Compression</b>	G.711 ulaw
<b>Video Output</b>	1 [CVBS 1.0V p-p (75Ω)]	<b>Two-way Audio / Audio Talk</b>	Yes

Software			
<b>Video Compression</b>	H.265 H.264 MJPEG	<b>Security</b>	HTTPS(SSL) IP filtering 802.1x
<b>Video BitRate</b>	100Kbps ~ 10Mbps	<b>Protocols</b>	TCP/IP UDP AutoIP RTP(UDP/TCP) RTSP NTP HTTP HTTPS SSL DNS DDNS DHCP FTP SMTP ICMP SNMPv1/v2/v3(MIB-2) ONVIF
<b>Video Streams</b>	2592x1944p30 + 480p30 with H.264,H265 + MJPEG	<b>Digital Noise Reduction</b>	3D DNR
<b>Auto Gain Control</b>	Auto	<b>Sys. Compatibility</b>	CGI API ONVIF Profile S
<b>Event Trigger</b>	Motion Alarm, Network Dis-connection, Temperature Critical, Illegal Login, Schedule, Sensor Detection.	<b>Supported Analytics Rules (EBDL)</b>	Intrusion Detection, Zones & Lines, Tamper Detection, Appear Filter, Disappear Filter, Dwell Filter, Enter Filter, Exit Filter, Stopped Filter, Counting, Counting Lines, Object Color, Direction Filter, Logical Rules, Tailgating Filter, DL People Tracker, DL Object Tracker, Metadata
<b>Event Notification</b>	FTP, Email, Alarm Out, SD Card	<b>ANPR / LPC</b>	Optional ANPR Functionality - Full Integration with VIGIL v13.0 ANPR Functionality for Search, Notification, and Access Control (via DIO) by License Plate. Includes MMCR (Make, Model, Color) as Secondary Search Criteria.

Dimensional Drawing



Unit : mm