

# VISIX VX-5M4-OT-IW

5MP INDOOR / OUTDOOR BALL TURRET CAMERA W/ 4MM FIXED LENS, IR, TRUE WDR AND IP67 / IK10 RATING



## Key Features

- » 5MP Sensor
- » 4mm Fixed Lens
- » 2592 x 1944 Max Resolution
- » IP67 / IK10 Rated
- » H.265, H.264, MJPEG Codecs
- » Discrete, Small Form-Factor Offers Environmental Versatility
- » 4 Year Warranty
- » NDAA Compliant

## PRODUCT NUMBERS

Available Units	Description
VX-5M4-OT-IW	Base Camera - 5MP Indoor / Outdoor Ball Turret Camera w/ 4mm Fixed Lens, IR, True WDR and IP67 / IK10 Rating

## Available Mounts



**VX-GP-02**  
Gang Plate Adaptor



**VX-JB-BJC03**  
Junction Box



**VX-WM-BW10**  
Wall Mount



**VX-PM-BC10**  
Pole Mount

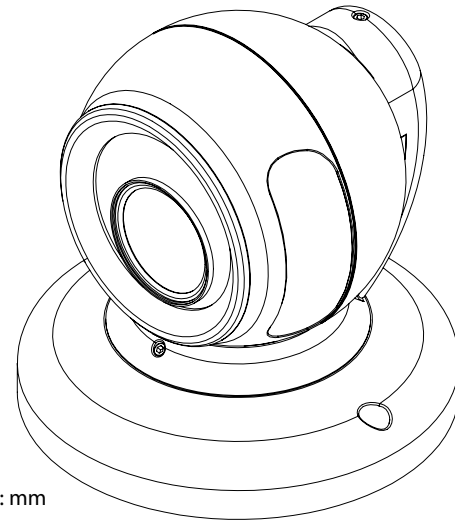
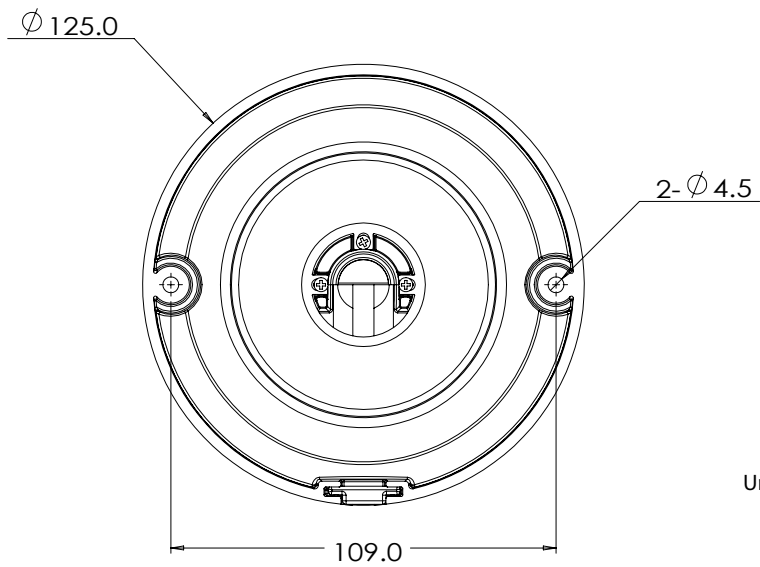
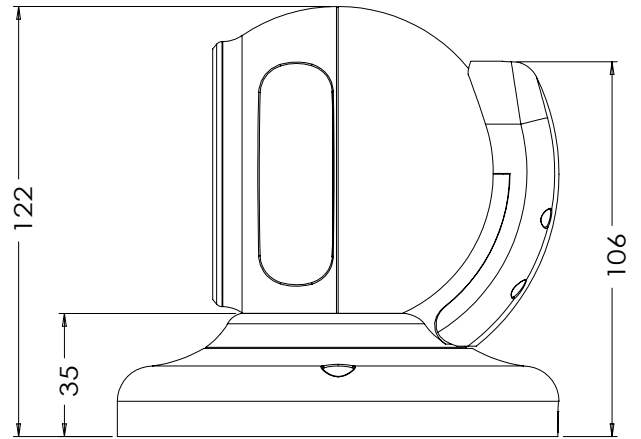
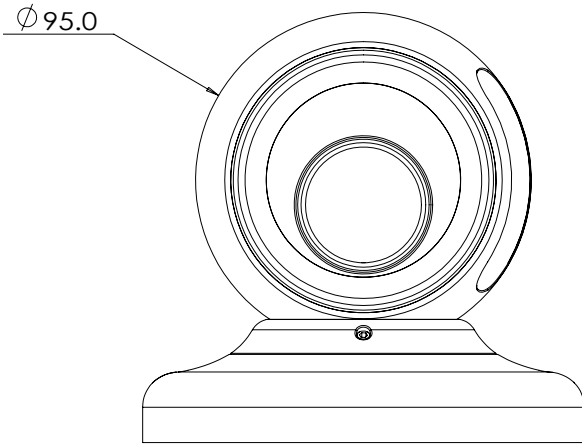


**VX-PM-BC10-KIT**  
Pole Mount Kit

Hardware			
<b>Image Sensor</b>	1/2.8" CMOS	<b>Sensor Max Resolution</b>	2592(H) X 1944(V)
<b>Lens</b>	4mm	<b>Frame Rate</b>	30fps
<b>Aperture</b>	F2.0	<b>Operating Temperature</b>	-20°~ 50°C (-4° ~ 122°F)
<b>Lens Type</b>	Fixed	<b>Operating Humidity</b>	10-90% RH (Non-Condensing)
<b>S/N Ratio</b>	50db	<b>Pan / Tilt / Zoom</b>	Zoom: Fixed
<b>Angle of View</b>	D : 106°   H : 82°   V : 60°	<b>Impact Protection</b>	IK10
<b>MIN. Illumination</b>	COLOR: 0.16Lux BW: 0Lux with IR	<b>IP Rating</b>	IP67
<b>IR Type / Distance</b>	H2IR / 70ft (22m)	<b>Material</b>	Aluminum-Die Casting
<b>Shutter Speed</b>	Auto / Manual (1/15 ~ 1/32000) Anti-Flicker Slow Shutter (1/2,1/3,1/5,1/6,1/7.5, 1/10)	<b>Dimensions (W x D x H)</b>	125mm x 122mm
<b>Day &amp; Night</b>	TDN (True Day & Night)	<b>Weight</b>	0.85kg
<b>Wide Dynamic Range (WDR)</b>	WDR(2x), 120dB or above	<b>Certifications</b>	FCC Part 15, Subpart B, Class A. CAN ICES-3 (A)/NMB-3(A). UL and ULC Safety CE NDAA Compliant, KC, RoHS
<b>Video Output</b>	None	<b>Power Supply</b>	Adaptor is not included DC12V, PoE IEEE 802.3af Class3
<b>Ethernet</b>	RJ45 (10/100Base-T)	<b>Power Consumption</b>	DC Max 6.5W PoE Max 7.8W
<b>Internal Mic</b>	None	<b>Alarm In / Out</b>	None
<b>Audio In / Out</b>	None	<b>Audio Compression</b>	None
<b>Storage</b>	microSD/SDHC/SDXC : 1TB max.	-	-

Software			
<b>Video Compression</b>	H.265, H.264, MJPEG	<b>Event Trigger</b>	Motion Alarm, Network Disconnection Temperature Critical, Illegal Login, Schedule, Sensor Detection
<b>Video BitRate</b>	100Kbps~10Mbps	<b>Security</b>	HTTPS(SSL), IP filtering, 802.1x, Digest Authentication
<b>Auto Gain Control (AGC)</b>	Auto	<b>Digital Noise Reduction</b>	3D DNR
<b>Video Streams</b>	Triple Streaming (3rd Stream Only MJPEG, 3 streams per sensor)  <b>H.265 / H.264</b> : 2592x1944 / 2560x1440 / 1920x1080 / 1280x720 / 800x600 / 704x576 / 704x480 / 640x480 / 640x360 / 352x288 / 352x240(per lens) <b>MJPEG</b> : 1920x1080 / 1280x720 / 800x600 / 768x432 / 704x576 / 704x480 / 640x480 / 640x360 / 352x288 / 352x240 (per lens)	<b>Protocols</b>	TCP/IP, UDP, Auto IP, RTP(UDP/TCP), RTSP, NTP, HTTP, HTTPS, SSL, DNS, DDNS, DHCP, FTP, SMTP, ICMP, SNMPv1/v2/v3(MIB-2), ONVIF
<b>Base Analytics</b>	Presence Filters (Advanced Motion), Object Tracker	<b>Sys. Compatibility</b>	CGI API, ONVIF Profile S

Dimensional Drawing



Unit : mm