

VISIX VX-PM-BC19

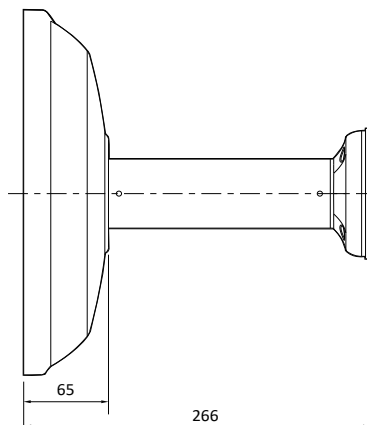
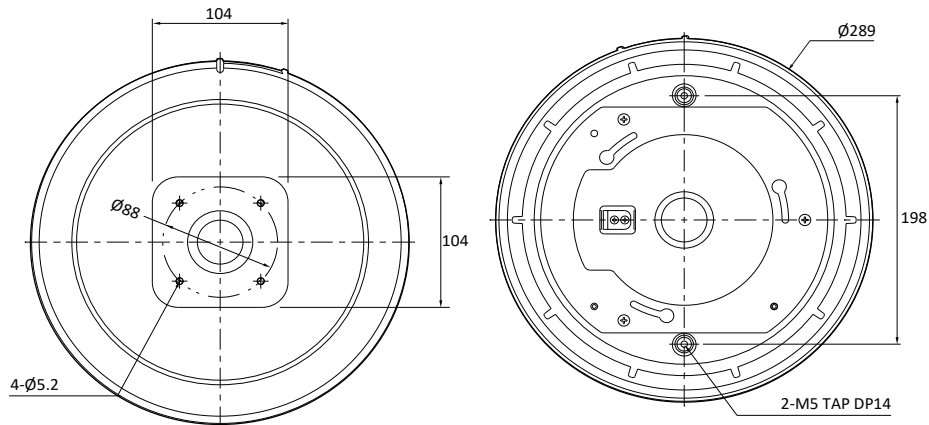
CEILING PENDANT MOUNT

MOUNT SPECIFICATIONS

Spec	Description
Material	Aluminum-Die Casting
Color	White
Dimensions	289mm x 266mm
Weight	1.8kg
Compatible Cameras	VX-20M-SURROUND-OD-RIAW



DIMENSIONAL DRAWING



Unit : mm