

# VISIX VX-WM-BW08

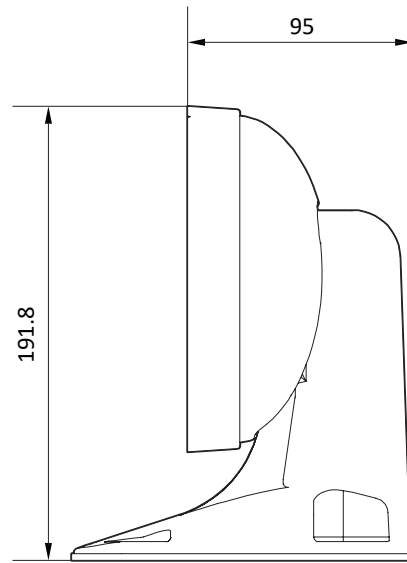
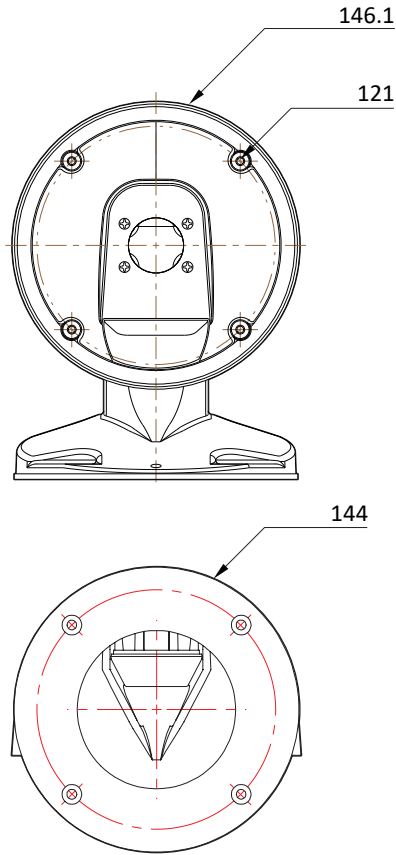
## WALL MOUNT

### MOUNT SPECIFICATIONS

Spec	Description
Material	Aluminum-Die Casting
Color	White
Dimensions	144m x 192mm
Weight	0.85kg
Compatible Cameras	VX-10M28-DUAL-OD-IAW, VX-10M4-DUAL-OD-IAW



### DIMENSIONAL DRAWING



Unit : mm