

VISIX VX-VT-56-DUAL-X

5MP OUTDOOR BULLET W/5MP VISIBLE LIGHT LENS AND 56°FOV THERMAL IMAGER



Key Features

- » Dual-Lens: Outdoor Bullet w/5MP Sensor and 56°FoV Thermal Imager
- » 5MP Visible Light Sensor, 320x240 Thermal Imager
- » Thermal Detectable Temp: -40°C to 330°C(-40°F to 626°F)
- » IP67 Rated / IK09 Impact Protection
- » Built-in Heater (Only w/ 12VDC Power)
- » 4 Year Warranty
- » NDAA Compliant
- » Two (2) IP Camera Licenses Included (1 per sensor)
- » Analytics
 - » Edge-Based Deep Learning VCA Analytics (Run on 1 Sensor Only) for Accurate Detection in Dense and Busy Scenes for Object Classification (Person, Vehicle, Object)
 - » Thermal Sensor Temperature Analytics: A Powerful Temperature Detection Solution
- » Integrates with:
 - » VIGIL - People Counting Advanced Reporting

PRODUCT NUMBERS

Available Units	Description
VX-VT-56-DUAL-X	5MP Outdoor Bullet w/5MP Visible Light Lens and 56°FoV Thermal Imager, Audio, Alarm I/O and Deep Learning Edge Analytics, Includes Two (2) IP Camera Licenses

Available Mounts



VX-BJC07
Junction Box



VX-CM-BC01
Corner Mount Bracket



VX-POLE-BP01
Pole Mount Bracket

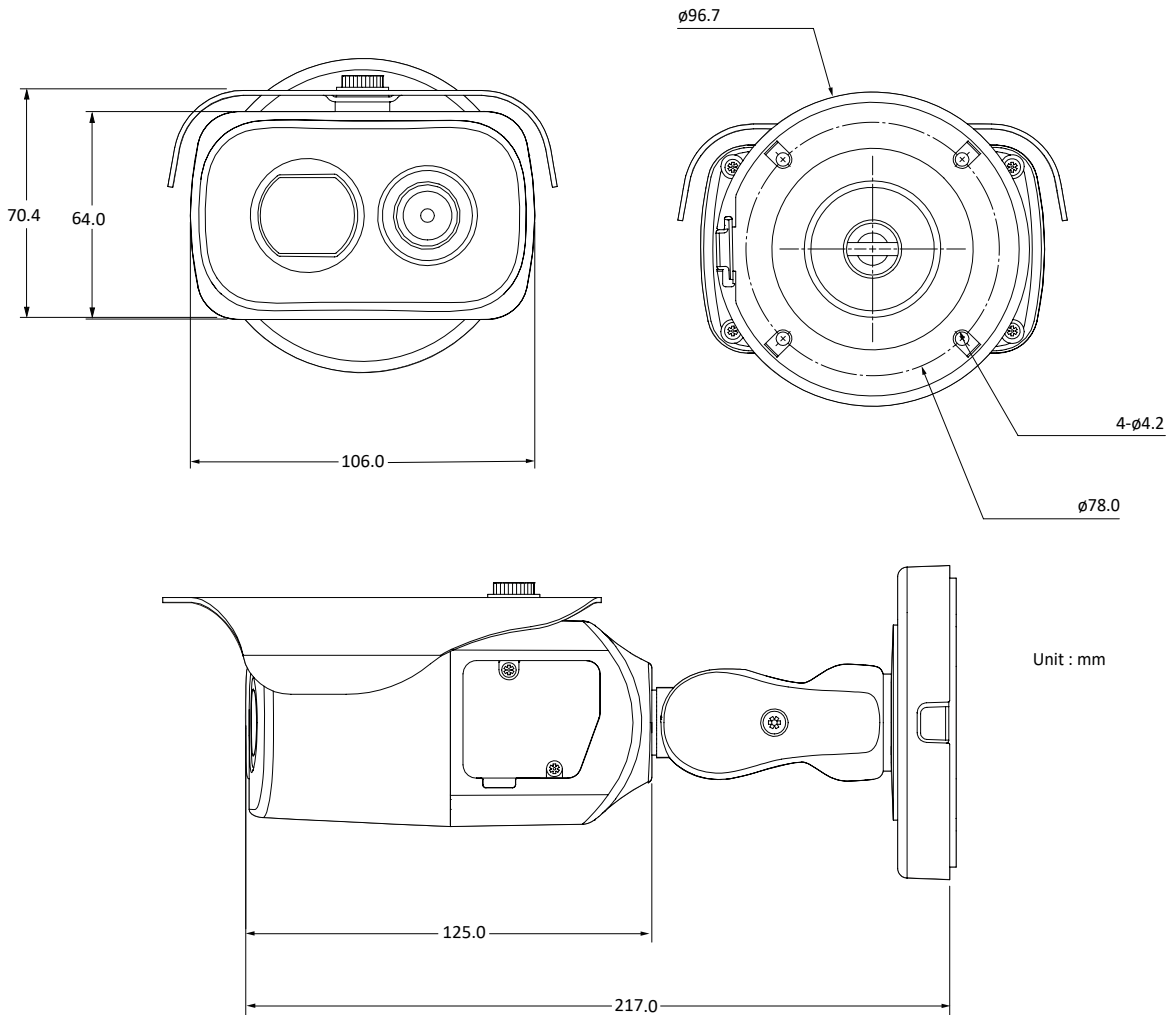
Hardware			
Image Sensor	SONY Starvis IMX335, 1/2.8" 5.14M CMOS	Sensor Max Resolution	2592x1944
Lens	4.0mm	Frame Rate (per Stream)	30fps
Aperture	F2.0	Operating Temperature	PoE: 30°C ~ 50°C (-22°F ~ 122°F) DC12V: 40°C ~ 50°C (-40°F ~ 122°F)
Lens Type / Iris Type	Fixed / Auto Exposure	Operating Humidity	10-90% RH (Non-Condensing)
Angle of View	H:82.3°, V:58.8°	Impact Protection	IK09
MIN. Illumination	Color : 0.16Lux BW : 0Lux with IR	IP Rating	IP67
IR Distance	80ft (25m)	Housing Color	White
IR LEDs	2 x H2IR	Dimensions (W x D x H)	106mm(W) x 64mm(H) x 217mm(D) 4.17in(W) x 2.52in(H) x 8.54in(D)
Shutter Speed	Auto / Manual (1/30 ~ 1/32000), Anti-Flicker, Slow Shutter (2X, 3X, 5X, 6X, 7.5X, 10X)	Weight	1.08 kg / 2.38lb
Day & Night	TDN (True Day & Night)	Edge storage	1TB Max Micro SD/SDHC/SDXC
Wide Dynamic Range (WDR)	WDR (2x), 120dB or above	Power supply	DC12V, PoE(IEEE 802.3af)
Certifications	FCC Part 15, Subpart B, Class A CAN ICES-3 (A)/NMB-3(A) UL and ULC Safety CE NDAA Compliant	Power consumption	DC12V 2A, Max 23.3W, PoE Max 11.5W
Ethernet	RJ45 (10/100Base-T)	Alarm In / Out	1/1
Audio In / Out	1 Line In, Supply voltage : DC3V (3mA), Input impedance : 3K Ohm / 1 Line Out, Max. Output Level : 1Vrms	Video Out (for Installation)	1 CVBS 1.0V p-p (75Ω), Camera selectable

Software			
Video Compression	H.264, H.265, MJPEG	Event Trigger	Motion Alarm, DI, Temperature Alarm (Above, Below, Slope Rate), VCA AI
Video BitRate	100Kbps ~ 25Mbps, Multi-rate for Preview and Recording	Security	HTTPS(SSL) IP filtering 802.1x, Digest Authentication
Video Streams	30fps@2592x1944 + 30fps@720p + 30fps@1080p(MJPEG)	Protocols	TCP/IP, UDP, AutoIP, RTP(UDP/TCP), RTSP, NTP, HTTP, HTTPS, SSL, DNS, DDNS, DHCP, FTP, SMTP, ICMP, SNMPv1/v2/v3(MIB-2), ONVIF
Audio Compression	G.711	Sys. Compatibility	CGI API, ONVIF
Base Analytics	Edge Based Deep Learning (Visible Light Sensor Only)	H.264 /H.265 Profile	MP, HP / MP
Event Pre / Post Buffer	Pre : 1 ~ 5 sec Post : 1 ~ 240 sec	Special Features	Smart LBR, ROI
Privacy Mask	16 Programmable Zone	DNR	3D-DNR
Image Processing	Exposure, White balance, Sharpness	AGC	Auto

Thermal Imager Specifications

Image Sensor	Uncooled Vanadium Oxide Micro-bolometer	Sensor Max Resolution	640 x 480 (w/Upscaling) 320 X 240 (w/o Upscaling) Pixel size : 12
Lens	4.0mm	Frame Rate	9fps
Aperture	F1.0	Lens Type	Fixed
Angle of View	H : 56°, V : 42°	Spectral Response	7.8~14 μm
NETD	65mK (Typical), Less than 100mK (max) @ 25°C	Detectable Temperature Range	-40°C to 330°C (-40°F to 626°F)
Video Streams	9fps@640x480 + 9fps@320x240 + 9fps@640x480 (MJPEG Only)	-	-

Dimensional Drawing



©2024 3xLOGIC All Rights Reserved