



VISIX VX-12M-360-IAW

12MP Outdoor 360 Fisheye Camera
Quick Start Guide - v1.0.0

3XLOGIC, INC. | USA: 11899 EXIT 5 PARKWAY, SUITE 100 FISHERS, IN 46037 | UK: 15 COFTON RD, EXETER, EX2 8QW, UK |
EU: ELIMAENKATU 13B, 00520 HELSINKI, FINLAND

©2024 3XLOGIC, INC. ALL RIGHTS RESERVED. INFORMATION IN THIS DOCUMENT IS SUBJECT TO CHANGE WITHOUT NOTICE. 3XLOGIC AND THE 3XLOGIC AND VIGIL LOGOS ARE TRADEMARKS OF 3XLOGIC, INC. ALL OTHER TRADE-MARKS ARE THE PROPERTY OF THEIR RESPECTIVE OWNERS.



E467564



CAN ICES-3 (A) / NMB-3(A)

1. This device complies with Part 15 of the FCC Rules. Operation is subject to the following two conditions

- i. This device may not cause harmful interference.
- ii. This device must accept any interference received, including interference that may cause undesired operation.

Note: This equipment has been tested and found to comply with the limits for a Class A digital device, pursuant to part 15 of the FCC Rules. These limits are designed to provide reasonable protection against harmful interference when the equipment is operated in a commercial environment. This equipment generates, uses, and can radiate radio frequency energy and, if not installed and used in accordance with the instruction manual, may cause harmful interference to radio communications. Operation of this equipment in a residential area is likely to cause harmful interference in which case the user will be required to correct the interference at his own expense.

2. This device complies with CAN ICES-3 (A)/NMB-3(A)
3. This device is UL and ULC E467574 (Safety) certified
4. This device complies with CE 2014/30/EU – EMC Directive, 2015/863/EU RoHS3 as part of 2011/65/EU RoHS.
5. This device complies with UKCA Electromagnetic Compatibility Regulations 2016 and UKCA Restriction of the Use of Certain Hazardous Substances in Electrical and Electronic Equipment Regulations 2012
6. This device complies with WEEE- Do not discard this product along with other household waste, it must be collected and treated separately. See *Discard Old Appliance* section of this document for information on proper disposal.

Notice: This product is covered by one or more claims of the HEVC Patents listed at patentlist.accessadvance.com



PRE-INSTALL AND SAFETY GUIDELINES



Note: These instructions are intended to ensure that the user can use the product correctly to avoid danger or property loss. If the product is not functioning properly or damaged, contact the service center or purchasing office.



CAUTION: Risk of explosion if battery is replaced by an incorrect type. Dispose of used batteries according to the instructions.



ATTENTION: Il y a un risque d'explosion si la batterie est remplacée par une batterie de type incorrect. Mettre au rebut les batteries usagées conformément aux instructions.

Although this document is a guideline, failure to follow these recommendations, especially for environmental conditions, can cause unnecessary and costly problems. It is in the customer's best interest to adhere to all points in this guide during the initial stages of system design and installation.

If the installation area does not properly support these requirements, failure of the unit is likely to occur due to excessive heat, poor power conditions and poor cabling.

WARNINGS



Warning: Serious injury or death may be caused if any of these warnings are neglected.

BATTERY *WHEN USING A LITHIUM BATTERY*

1. There is a risk of explosion if the battery is incorrectly replaced. The battery should be replaced only with the same battery.
2. Used batteries must be disposed of according to local regulations or battery manufacturer's instructions. Disposing of in a fire or in a hot oven, or mechanically crushing and cutting may cause an explosion.
3. Leaving the battery in a very high temperature or low air pressure environment may result in an explosion or leak of flammable gases.

BATTERIE *LORS DE L'UTILISATION D'UNE BATTERIE AU LITHIUM*

1. Il y a un risque d'explosion si la batterie est remplacée de manière incorrecte. La batterie doit être remplacée uniquement par une batterie identique.
2. Les batteries usagées doivent être éliminées conformément aux réglementations locales ou aux instructions du fabricant. La combustion, le chauffage à haute température, le broyage mécanique ou la découpe peuvent entraîner une explosion.
3. Le fait de laisser la batterie dans un environnement très chaud ou à basse pression atmosphérique peut entraîner une explosion ou une fuite de liquides inflammables ou de gaz.

CAUTIONS



Caution: Injury or equipment damage may be caused if any of these cautions are neglected.

POWER

1. Disconnect the power plug from the outlet before connecting to the power terminal block. Connect the device to the power line after fixing it firmly to the power connection terminal. Connect the power plug to the outlet to power the device.
2. Do not extend the adapter output cable. If you need to install the power cable extension, please contact the service center.
3. If there is smoke or a strange smell from the power source, disconnect the power immediately and contact the service center or purchasing office. If you continue to use it as it is, it can cause fire and / or electric shock.

INSTALLATION

1. Avoid installing cameras facing bright light like sunlight.
2. Make sure the camera is safely secured when mounting on the wall or ceiling. Falling hardware can cause injury.
3. Do not connect multiple cameras to one adapter. Excess capacity can cause excess heat and fire.
4. Wear protective gloves when installing / uninstalling the camera. This prevents burns caused by high temperature on the surface of the product.
5. Do not drop or shock the product. Please stay away from places where vibration is severe or strong magnet are present.
6. Install the device according to the temperature and humidity environment suitable for the product specifications. Otherwise, it can cause fire and electric shock.
7. Thunder and lightning can cause problems with the camera. When installing, be careful to minimize damage caused by lightning by grounding of the device.
8. Do not install it in places where there is excess moisture, dust, soot, etc. This could cause fire and / or electric shock.
9. Avoid installing in direct sunlight or in areas emitting excess heat, such as heating appliances. This could cause fire and / or electric shock.

CLEANING

1. If the camera lens is dirty, wipe the contaminated surface with a clean, soft, dry cloth. If dirt remains, wet the soft, dry cloth (but ring out the cloth to prevent water from flowing) then wipe and dry the contaminated area.
2. Do not spray water directly on any part of the product when cleaning. This could cause fire and/or electric shock.

INSTALLATION AND USE PRECAUTIONS

1. Do not disassemble the camera at your discretion.
2. If you forcefully install the product with excessive force, malfunction can damage the camera.
3. Do not punch or shake the camera and be careful not to damage the camera with careless storage or malfunction.
4. Be careful not to install the camera in a rainy or humid place, and do not leave it in a wet place.
5. Installing or using the product in water can cause serious product failure.
6. Do not install the product if there is chemical or vapor in the place where the product is installed, or if it can be generated.
7. Be careful not to get chemicals on the surface of the product when installing the product. Chemical solvents such as cleaning agents and adhesive components can cause fatal damage to the surface of the product.
8. Do not install it near the kitchen or cooking table as edible oil such as soybean oil can also cause product damage and deformation. It can cause product damage.
9. Be careful not to get foreign substances on the Micro SD card terminal. If there is any foreign substance, wipe it with a soft cloth.
10. Data will not be saved at the end of the life of the Micro SD card. In this case, purchase a new Micro SD card.
11. Moisture may occur in the glass of the camera when the new product box is opened (or when the product is initially running). The generated moisture is removed by a Gore vent attached to the camera within hours of the power connection.
12. For products enclosed with a desiccant or card-type absorbent, please install it according to the manual.
13. Use only with cart, stand, tripod, bracket, or table specified by the manufacturer, or sold with the apparatus.
14. Unplug this apparatus when a cart is used. Use caution when moving the cart/apparatus combination to avoid injury from tip-over.



PREPARING TO MOUNT THE CAMERA

1. The mounting surface must bear five times the weight of your camera.
2. Do not let the cables get caught in improper places or the electric line cover to be damaged. This may cause a breakdown or fire.



CAUTION: These servicing instructions are for use by qualified service personnel only. To reduce the risk of electric shock do not perform any servicing other than that contained in the operating instructions unless you are qualified to do so.

3. This product is intended to be supplied by a UL Listed Power Supply Unit marked "Class 2" or "LPS" or "PS2" and rated DC12V max 10.2W, PoE max 11.5W
4. The wired LAN hub providing power over the Ethernet (PoE) in accordance with IEEE 802-3af shall be a UL Listed device with the output evaluated as a Limited Power Source as defined in UL60950-1 or PS2 as defined in UL62368-1.
5. Unit is intended for installation in a Network Environment 0 as defined in IEC TR 62102. As such, associated Ethernet wiring shall be limited to inside the building.
6. Using the mounting template sheet or the camera itself, mark and drill the necessary holes in the wall or ceiling.

INSTRUCTIONS POUR MONTER LA CAMÉRA

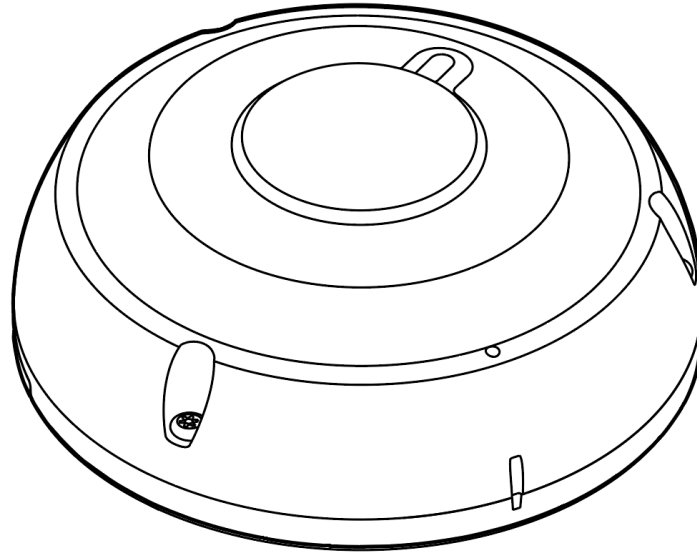
1. Le support de montage doit être capable de supporter cinq fois le poids de votre caméra.
2. Ne laissez pas les câbles se coincer et faites attention de ne pas endommager la couverture de la ligne électrique. Cela pourrait provoquer une panne ou un incendie.

Attention: Ces instructions de maintenance sont destinées à un usage par un personnel qualifié uniquement. Pour réduire les risques de choc électrique, n'effectuez aucune opération de maintenance autre que celles décrites dans les instructions d'utilisation, sauf si vous êtes qualifié pour le faire.

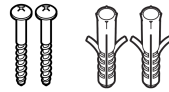
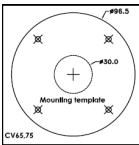
3. Ce produit doit être alimenté par une unité d'alimentation électrique certifiée UL, marquée "Classe 2", "LPS" ou "PS2" et ayant une tension nominale de 12 Vcc, max 10.2W, PoE max 11.5W
4. Le concentrateur LAN câblé fournissant de l'énergie via Ethernet (PoE) conformément à la norme IEEE 802.3af doit être un appareil certifié UL avec une source évaluée comme source d'alimentation limitée, selon la définition de l'UL60950-1 ou PS2 selon la définition de l'UL62368-1.
5. L'unité est destinée à être installée dans un environnement réseau 0, tel que défini dans l'IEC TR 62102. Par conséquent, le câblage Ethernet associé doit être limité à un réseau local.
6. À l'aide du gabarit de montage fourni ou de la caméra elle-même, marquez et percez les trous nécessaires dans le mur ou le plafond.

1 PRODUCT & ACCESSORIES

Note: Confirm all camera parts and accessories are included in the package.



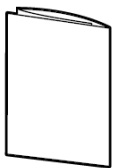
VX-12M-360-IAW



MOUNTING TEMPLATE

SCREWS AND ANCHORS - 2pcs

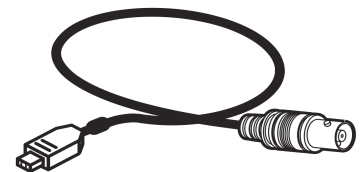
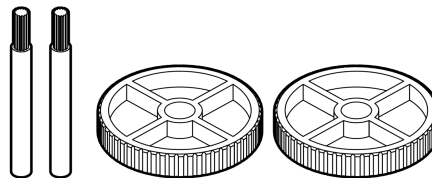
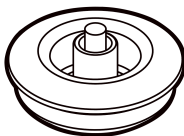
TORX WRENCH



QUICK MANUAL

RJ45 INSTALL CAP

DESI-PAK

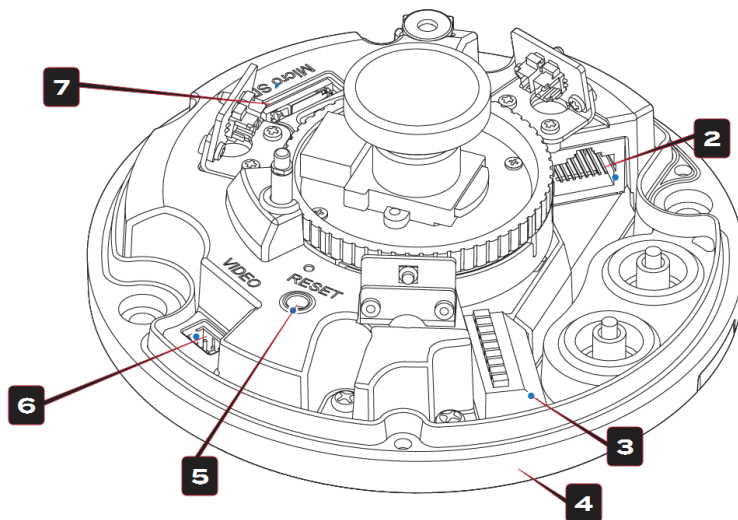
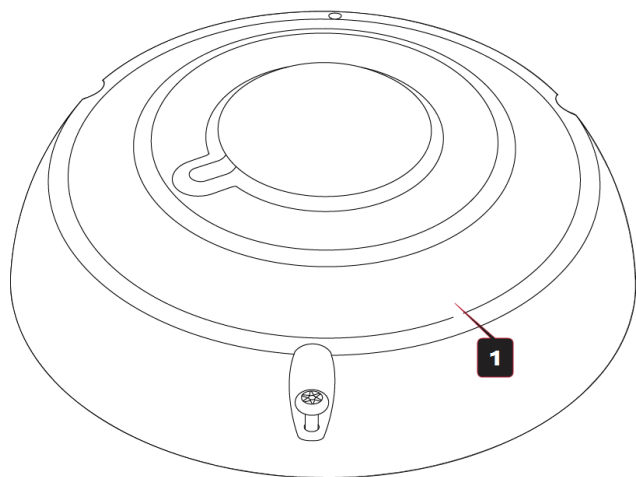


GROMMET

MOUNT BOLT & NUT

TEST VIDEO CABLE

2 PART NAMES



PART	DESCRIPTION
1	Dome Cover
2	LAN Port (RJ45)
3	Terminal Block- DC12V, Alarm In / Out, Audio Out
4	Bottom Case
5	Reset Button
6	Video Test Connector
7	MicroSD Card Slot

3 INSTALLATION

Before installing you must read the following cautions.



Confirm the installation location can bear five times of the weight of your camera.

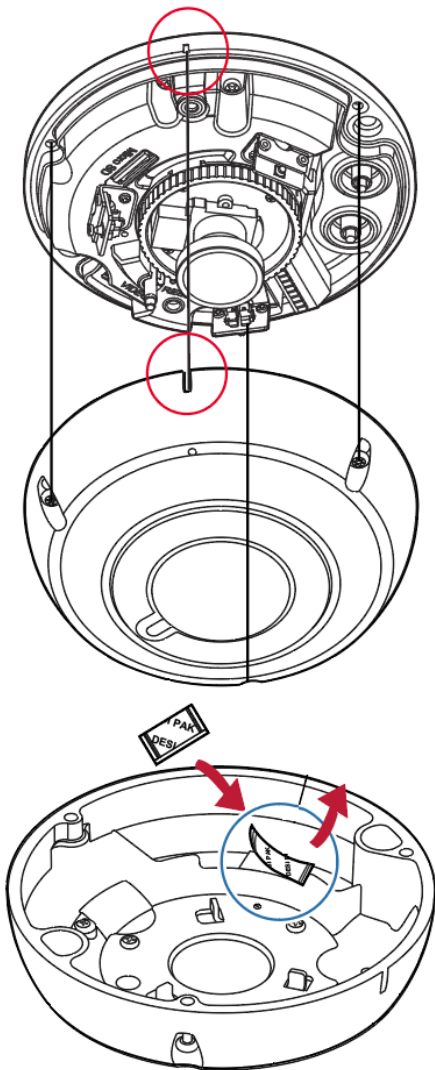


Do not allow the cable to be caught, pinched or snagged on the environment or the electric line cover to be damaged. Otherwise it may cause a malfunction or fire.



When installing your camera, do not allow any person to approach the installation site.

3.1 DISASSEMBLING THE CAMERA



Detach the dome using the torx wrench attached to the bottom case.

- i. The camera includes a sensor located near the camera module. For the sensor to function properly, the camera's dome includes a hole that must be aligned atop the sensor.



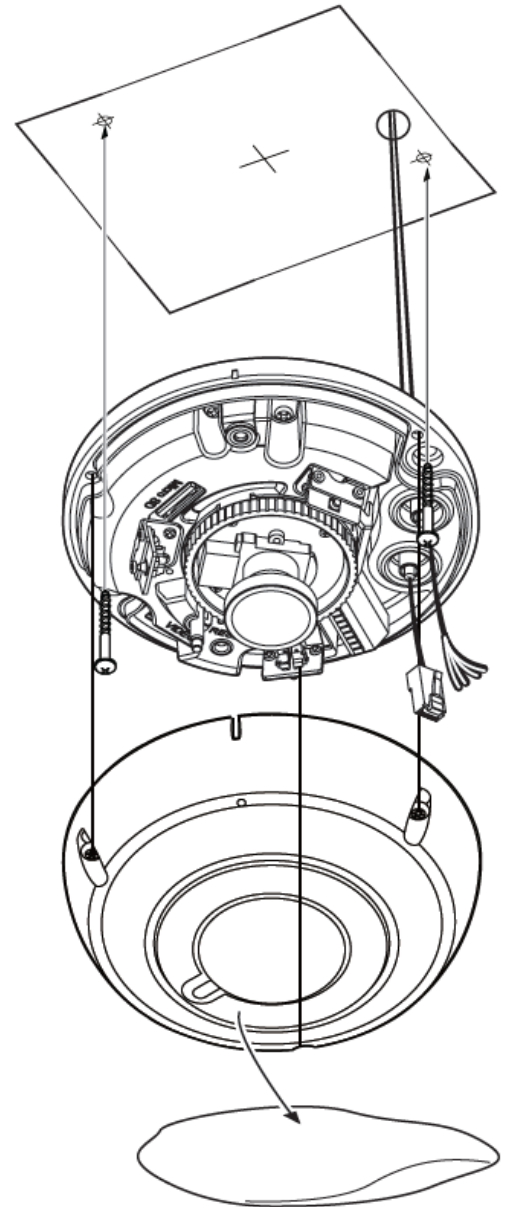
Desi-Pak (Moisture Absorber) - When inserting or removing the Desi-Pak, be careful as it may be torn when using a pointed tool.



Warning: When mounting the camera, the Desi-Pak may move.

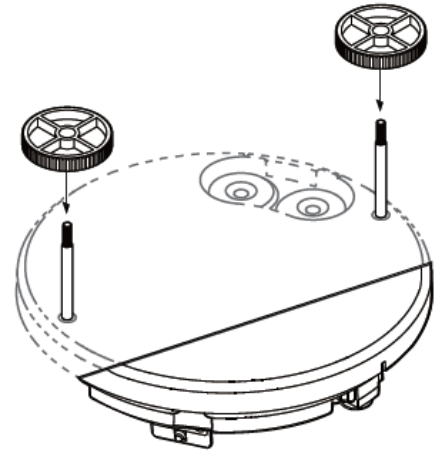
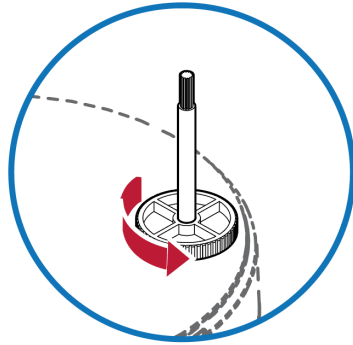
3.2 CAMERA INSTALLATION

1. Disassemble the camera. See "Disassembling the Camera" on the previous page for details.
2. Using the template sheet, drill the cabling passthrough on the mounting surface.
3. Pull wires through the passthrough hole and make all necessary connections. See "Cabling" on page 6 for details.
4. Fix the bottom case to the mounting surface using the provided anchors and screws.
5. Attach the dome cover to the bottom case. Be sure the sensor dome is attached using the case outline as a guide. This will ensure all sensors are functional.
6. Detach the protective film from the dome cover.

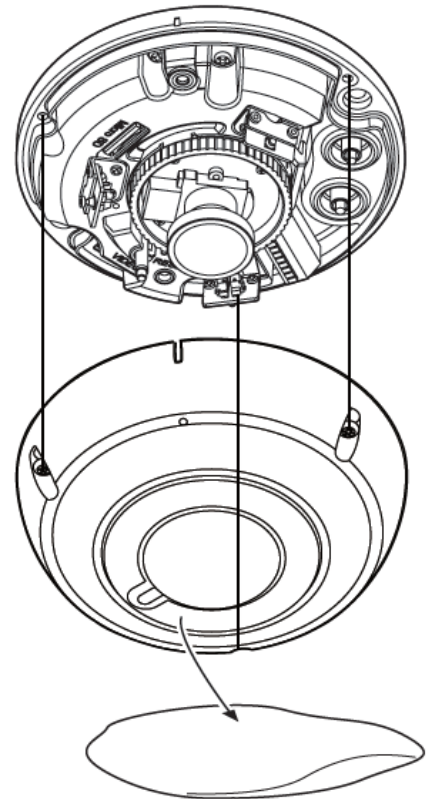


3.3 CAMERA INSTALLATION - INSTALL W/ MOUNT BOLT AND NUT

1. Insert the mount bolts into template holes after connecting the cable
2. Fix the bottom case by tightening mount nuts to mount bolts on the ceiling panel.



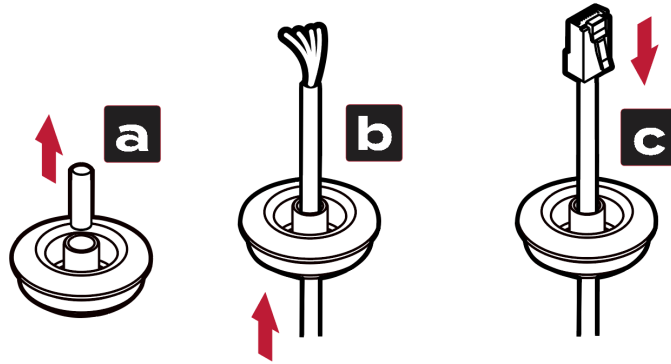
3. To achieve desired field-of-vision and orientation, rotate the gimbal.
4. Be sure the sensor dome is attached using the case outline as a guide. This will ensure all sensors are functional.
5. Detach the protective film from the dome cover.



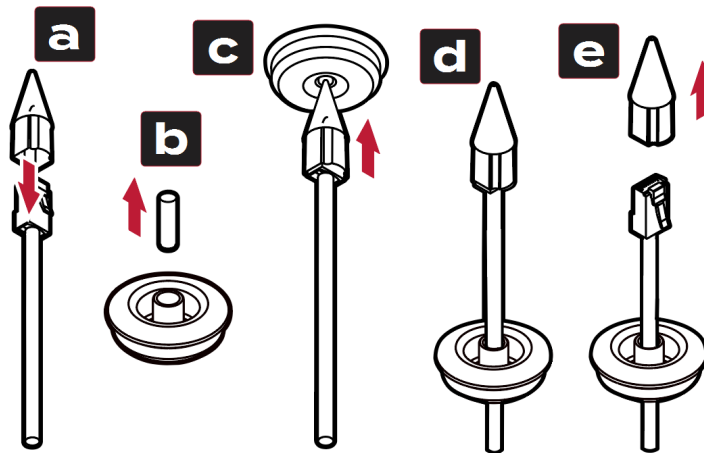
4 CABLING

4.1 CONNECTING LAN (RJ45) CABLE

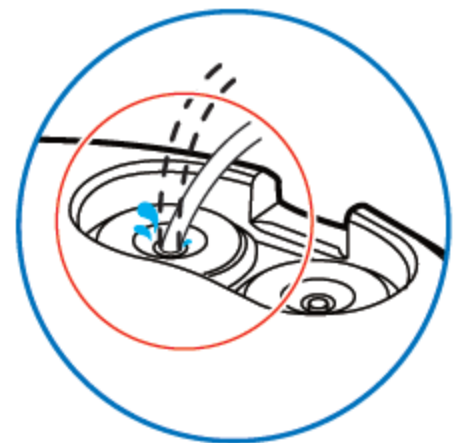
METHOD 1: WITHOUT RJ45 INSTALL CAP



METHOD 2: WITH RJ45 INSTALL CAP



1. Insert the RJ-45 Installer Cap on the LAN cable.
2. Remove the grommet blocking the bottom hole of the camera.
3. Pass LAN cable with cap installer through the hole of grommet from bottom to top.
4. Remove the RJ-45 Installer Cap from the cable.
5. Connect the LAN Cable to the camera.
6. After completing the cable installation, insert grommet into the bottom case.



Caution: Be certain the grommet is correctly oriented.



Warning: Bending or pinching the cabling can allow for water ingress which may lead to device malfunction / electrical shock / fire.

4.2 CAMERA CABLING

1. Network Connection Passthrough

Connect the RJ45 Cable through the grommet / passthrough. See "Connecting LAN (RJ45) Cable" on the previous page for more information.

- Max Distance - 33m (100ft)
- PoE - IEEE 802.3af
- Cable Thickness - $\varnothing 5.0 \sim \varnothing 8.0$ mm

2. **Secondary Cable Connection Passthrough** - After LAN / RJ45 cabling, all remaining cables (DC12V [optional], alarm, audio out, etc...) should be fed through this passthrough.

3. **DC12V Power Connection** - Confirm supply voltage before connecting. Cabling should be wired through the second passthrough / grommet. See below for wiring block diagram.


4. **Sensor Alarm Input (DI)** - Positive and negative wires of the sensor/ alarm input device should connect to + and - terminals of the terminal block.


Alarm Out / Relay Out (DO)

Connect to an appropriate device (lights, siren, access control, etc...). The sensor types are normal open and normal close.

5. **Mic** - Built-in Microphone.

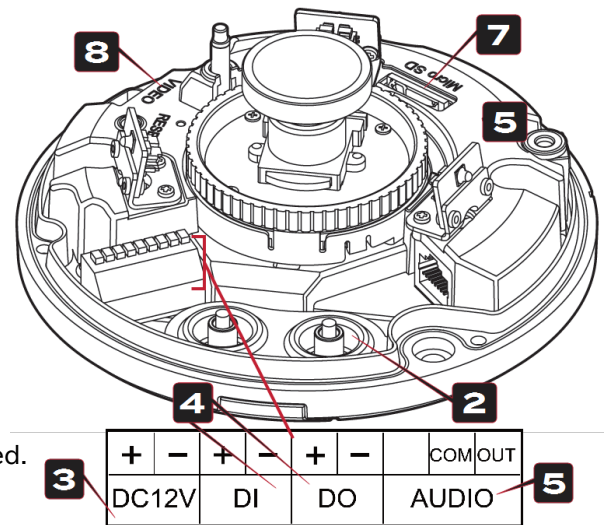
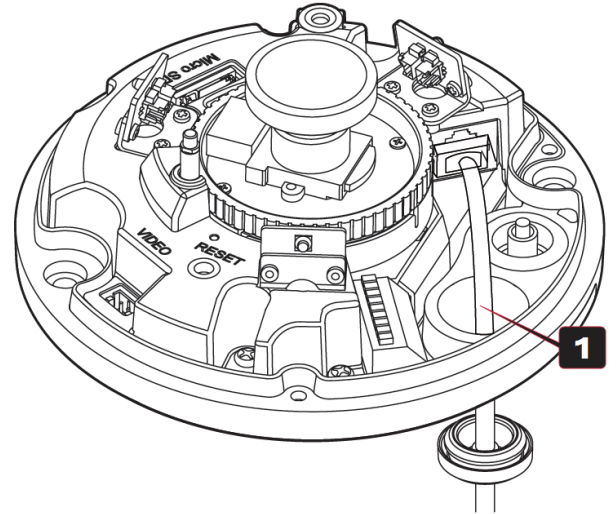
6. **Audio Out** - Connect the 'Audio Out' port of the camera to the 'Line In' port of the speaker.

 **Note:** An amplified or powered speaker is required for the camera's Audio Out..

 **Note:** Audio Out only supports RTSP Back Channel..Expanded access via browser UI planned.

7. **SD Card Slot**

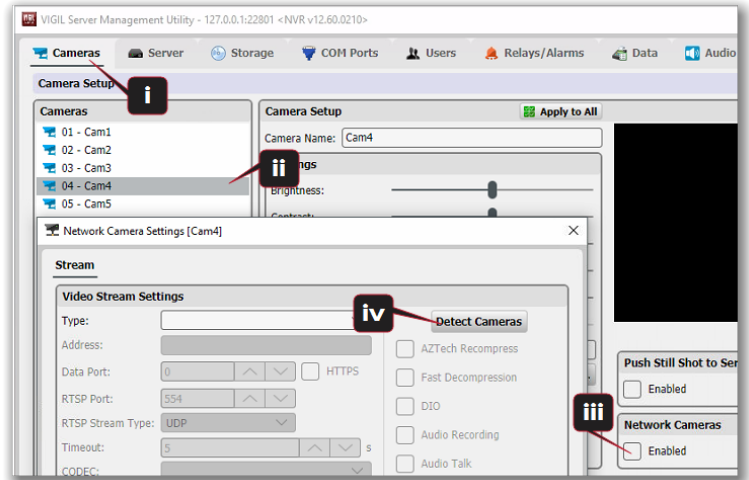
8. **Video Test Connector** - Press and hold the video change button for 2 seconds to switch between camera images.



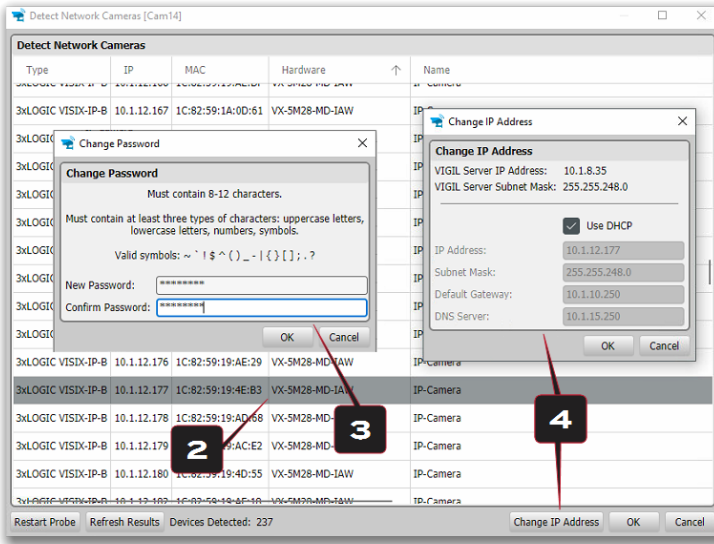
5 CAMERA SETUP (ADD CAMERA TO VIGIL)

STEP 1: RUN DETECTION UTILITY / IDENTIFY CAMERAS

- i. On your VIGIL Server system, open the **VIGIL Server Management Utility (VSMU)** and navigate to the **Cameras** tab (open by default).
- ii. Select the desired camera channel from the treeview.
- iii. Enable **Network Camera**. The *Network Camera Settings* form will deploy.
- iv. Click the **Detect Cameras** button. VIGIL's embedded camera detection utility's *Detect Network Cameras* window will now deploy and populate with a list of detected cameras on the network.



STEP 2: SELECT CAMERA



Select the desired camera from the list of devices.

STEP 3: CHANGE PASSWORD

To follow best security practices, you must first secure your camera by changing default credentials. The default username/password **must** be changed. Video will not stream from the camera until the default admin password is changed.

After selecting your new camera (double-clicking) from the list of devices, enter in the default username and password of **admin / admin** then click **OK**.

Once logged in, the *Change Default Password* prompt will deploy. Enter and confirm a unique password, then click **OK** to complete the change. A pop-up will confirm your success.

Note: The camera credentials will be set to defaults when a 'factory reset' is performed on the camera.

STEP 4: CHANGING CAMERA IP INFO (OPTIONAL FOR NON-DHCP)



Note: If using DHCP, skip to Step 5.

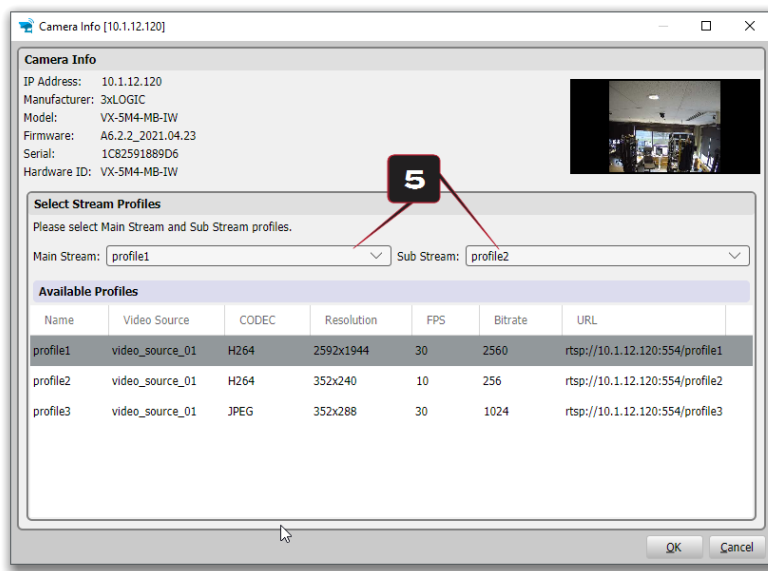
The camera will use DHCP by default and should be assigned an IP by your network automatically. If the network lacks DHCP and requires a static IP for the camera, click **Change IP Address** with the camera selected in the *Detect Network Cameras* list. The *Change IP Address* window will deploy. Deselect the **Use DHCP** box and edit

the camera’s IP info. Enter the camera’s credentials you configured in the previous step and click **OK** after making changes to save the new IP information.

Note: Default TCP/IP information (set after 90 seconds if no DHCP is detected):

- IP: 192.168.1.80
- Subnet Mask: 255.255.255.0
- Gateway: 192.168.1.1
- DNS : 168.126.63.1

After making and saving any IP changes, confirm the camera is still selected in the devices list then click **OK**. The utilities’ *Camera Info / Stream Selection* window will deploy.



STEP 5: ASSIGN STREAM PROFILES

The final step before adding the camera to VIGIL is to assign stream profiles to the camera’s Main and Sub streams in VIGIL. Camera info is also visible top left for your review.

profile1 contains settings ideal for high-quality Mainstream video. **profile2** contains settings ideal for Substream quality video (reduced quality, increased performance). These will be respectively assigned to Mainstream and Substream automatically by the utility but can be changed here if necessary. Settings for each available profile are visible in the *Available Profiles* list.

STEP 6: SAVE TO VIGIL

Click **OK** on the camera info window to save settings. The camera’s settings will populate VIGIL’s *Network Camera Settings* form. For 360 Dewarp Cameras, be sure to check the Camera Control box on the Network Camera Settings form to allow for 360 Dewarp camera control. Click **OK** to save the camera to VIGIL

STEP 7: ENABLE 360 DEWARP CAMERA CONTROL

With your 360 Dewarp camera selected in the *VSMU > Camera Setup* tab device list, select the **Advanced Settings > Camera Control** tab (bottom of the form) and set the *Camera Control Type* to **360 Dewarping**(Ceiling or Wall Mount depending on your camera’s installation location) using the available drop-down menu. Set the *Lens Type* to **Immervision VSXGenIII-VX-12MP-360-IAW-X**. Click **OK** to save the settings.

STEP 8: ADVANCED OPTIONS / FACTORY RESET / REBOOT

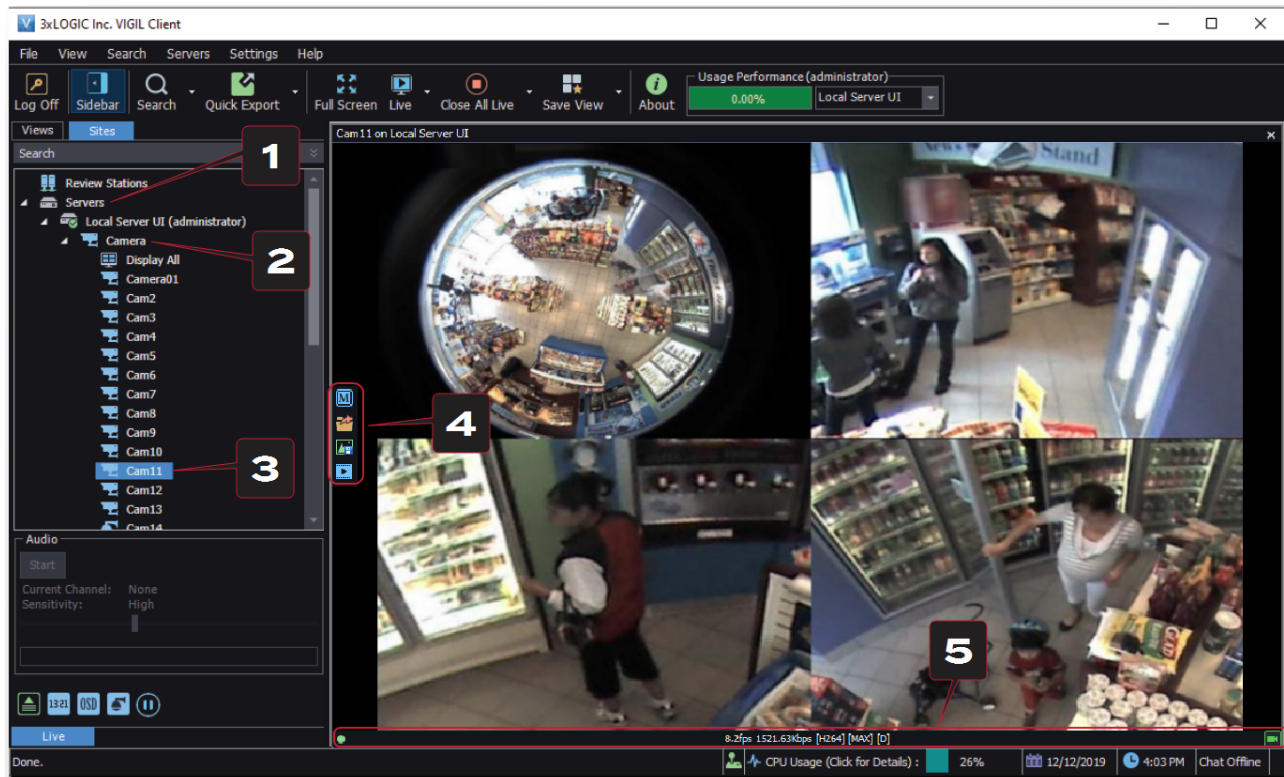
If advanced configuration of camera image(and other) settings is required, see the latest version 3xLOGIC VISIX Gen III User Guide for more information on accessing and configuring these settings via the camera’s browser UI.

If a factory reset is required, login to the camera’s browser interface (enter IP into a browser URL bar and login to the camera) then navigate to *Setup > System > Factory Reset*. To perform a basic camera restart, navigate to *Setup System > Restart*.

6 VIEWING CAMERA IN VIGIL CLIENT

VIEWING LIVE

After adding the camera to VIGIL Server or setting the camera up as a standalone device (applicable models only), 3xLOGIC recommends VIGIL Client for viewing live and playback. Client's powerful toolset can be leveraged by users to thoroughly and quickly review camera footage and other data collected by a VIGIL Server or VIGIL All-in-One camera. Refer to the steps in this section for details on viewing the camera's footage in VIGIL Client.



1. After launching VIGIL Client, extend the Servers node located in the Sites tab treeview then double-click the desired VIGIL Server / standalone camera to reveal available devices and tools.
2. For Standalone devices, simply double-click the camera name in the drop-down to open a live view from the camera (skip to step 4). For VIGIL Servers, expand the Cameras node to reveal a list of available devices interfaced with the Server.
3. Double-click the desired camera. The camera's live stream will be automatically displayed in the viewing area.
4. Live Edge Controls instantly grant the user access to common tools such as Capture Still Image, Instant Replay and Stream Type Selection.
5. Stream information such as FPS rate, bitrate and CODEC type are listed when the cursor hovers over the boom edge of the frame.
6. For 360 Dewarp Cameras, right -click on a camera in the Live Viewer. Mouse-over **360 Dewarping** in the menu to reveal the following dewarping modes:

- » **Normal**) - A single non-dewarped "fisheye" image from the camera is displayed. This feature allows users to zoom into the image. Click on an area of interest and then use the mouse scroll to zoom in and out then click-and-drag to rotate the image when zoomed. This type is selected by default.
- » **Quad View** - This feature splits the playback image into 4 quadrants. The first quadrant shows the full "fisherye" image, and the second, third and fourth quadrants show different zoomed, dewarped sections of the image. To load an area of interest in one of the zoom quadrants, click on a zoom quadrant and then click within the desired area of the non-dewarped image to load that section into the selected quadrant. The zoomed sections can also be clicked on directly and then rotated.
- » **Panorama View** - This feature dewarps the 360 camera into one (Wall Mount) or two (Ceiling Mount) elongated, panorama-style image(s). A user may digitally pan and zoom in and out of the image(s) for added review capability.

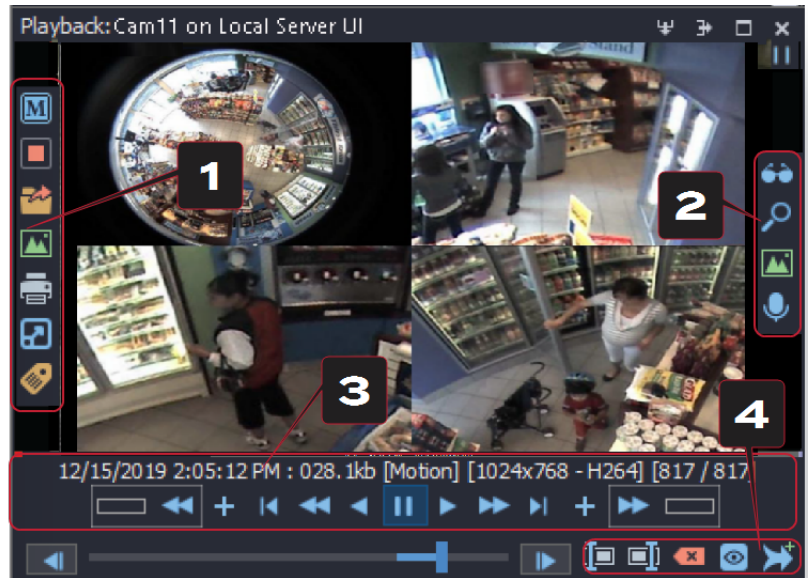


Note: Camera Control must be enabled on the Network Camera Settings form when saving the camera to VIGIL to allow for 360 Dewarp Camera Control.

SEARCHING AND VIEWING PLAYBACK

Select Instant Replay from the Live Edge Controls to open the last 5 minutes of footage from the camera or perform a playback search to review a custom me range of playback. A Playback viewer featuring the requested footage will deploy.

1. Playback Live-Edge controls include Export Video or Stills, Stream Mode Selection and Screen Record, etc...
2. Right-Edge Controls include more tools such as Smart Search, Audio and Zoom Controls and Image Control.
3. Stream information and standard playback controls are accessible at the boom of the frame.
4. Located next to the scrub bar, footage markers and export tools can be used to quickly narrow down and export portions of interest within larger video clips.
5. To activate dewarping for 360 Dewarp Cameras, right-click within the image, mouse-over **360 Dewarping** in the menu and select the desired dewarp mode. For more information on these modes and their operation, refer to step 6 of the previous section.



Note: Exported video can be optioned to include VIGIL DV Player which allows dewarping and digital PTZ control of 360 camera video outside of VIGIL Client.

For further details on reviewing and exporting playback and other advanced features such as audio recording and two-way audio talk, POS Data OSD and more, please visit www.3xlogic.com and consult the product documentation library for VIGIL Client-related support documentation.

7 CONTACT INFORMATION

3xLOGIC has offices in Fishers, Indiana, USA as well as Exeter, UK and Helsinki, Finland. Please visit our 3xLOGIC website at www.3xlogic.com. Please contact us by e-mail at helpdesk@3xlogic.com (technical support), or using the following contact information:

3XLOGIC TECHNICAL SUPPORT:

Toll Free:(877) 3XLOGIC

(877) 395-6442

Email:helpdesk@3xlogic.com

Website:www.3xlogic.com

3XLOGIC NORTH AMERICAN OFFICE:

11899 Exit 5 Parkway, Suite 100

Fishers, IN 46037

United States. (303) 430-1969

3XLOGIC UK OFFICE:

Signal House

15 Cofton Rd

Exeter

EX2 8QW

United Kingdom, +44 (0) 333 789 3300

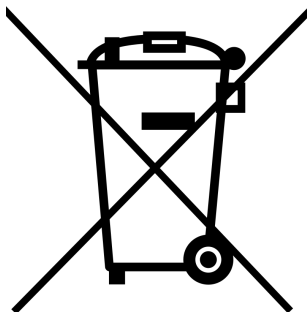
3XLOGIC EU OFFICE:

ELIMAENKATU 13B 00520

Helsinki

Finland

DISPOSAL OF OLD APPLIANCE



1. When this crossed-out wheel bin symbol is attached to a product it means the product is covered by the European Directive 2002/96/EC.
2. All electrical and electronic products should be disposed of separately from the municipal waste stream in accordance to laws designated by the government or the local authorities.
3. The correct disposal of your old appliance will help prevent potential negative consequences for the environment and human health.
4. For more detailed information about disposal of your old appliance, please contact your city office, waste disposal service or the shop where you purchase the product.

