

# VISIX VX-SMBK-B-IW

VISIX SMALL BUSINESS 4MP, FIXED 4MM LENS, IN-DOOR/OUTDOOR MINI-BULLET W/ IR, TRUE WDR, IP67



## Key Features

- » 4MP Resolution
- » 20 FPS
- » 4mm Fixed Lens
- » Multistream Support
- » IP67-rated
- » IR Range: 50m
- » H.265, H.264, MJPEG Codecs
- » 4 Year Warranty
- » Base Analytics Included
- » NDAA Compliant

## PRODUCT NUMBERS

Available Units	Description
VX-SMBK-B-IW	Base Camera - VISIX SMALL BUSINESS 4MP, FIXED 4MM LENS, IN-DOOR/OUTDOOR MINI-BULLET W/ IR, TRUE WDR, IP67

## Available Mounts



**Universal Mount**  
Included w/ Camera



**VX-JB-BJC07**  
Junction Box

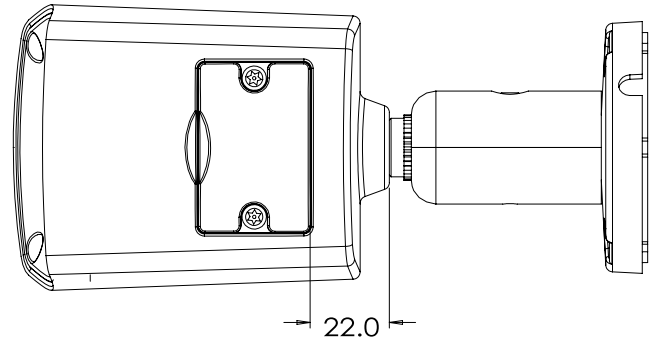
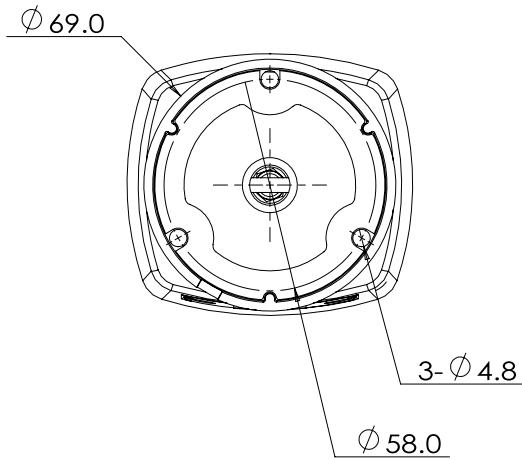
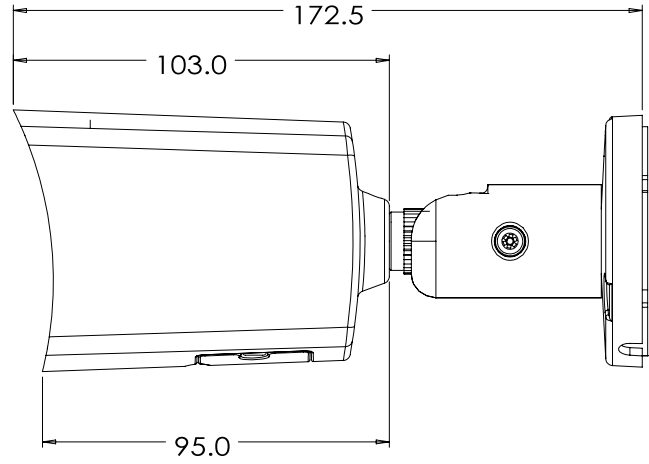
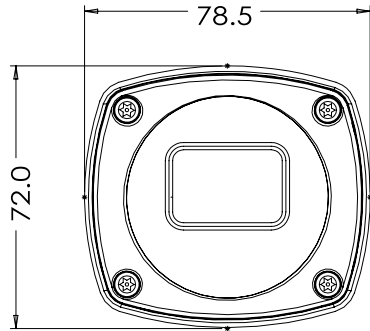
## Hardware

<b>Image Sensor</b>	1/2.8" 5.14M CMOS	<b>Sensor Max Resolution</b>	2560(H) X 1440(V)
<b>Lens</b>	4.0mm	<b>Frame Rate</b>	20fps
<b>Lens Type</b>	Fixed	<b>Operating Temperature</b>	-20°~ 50° (-4°F ~ 122°F)
<b>Aperture</b>	F2.0	<b>Operating Humidity</b>	10-90% RH (Non-Condensing)
<b>Angle of View</b>	D:95.1°, H : 81.0°, V : 43.1°	<b>IP Rating</b>	IP67
<b>MIN. Illumination</b>	0.16Lux, 0Lux with IR (F2.0)	<b>Material</b>	Aluminum
<b>IR Distance</b>	50m	<b>Dimensions (W x D x H)</b>	78.5mm x 72.0mm x 174.0mm
<b>Shutter Speed</b>	1/15 ~ 1/32000	<b>Weight</b>	0.66kg
<b>Day &amp; Night</b>	TDN (True Day & Night)	<b>Local Storage</b>	128GB Max. Micro SD / SDHC / SDXC
<b>Wide Dynamic Range (WDR)</b>	120dB	<b>Power Supply</b>	DC12V (Adaptor not incl.), PoE IEEE 802.3af class2
<b>Certifications</b>	FCC Part 15, Subpart B, Class A CAN ICES-3 (A)/NMB-3(A) UL and ULC Safety CE NDAA Compliant	<b>Power Consumption</b>	DC12V Max 7.2W PoE Max 7.7W
<b>Ethernet</b>	RJ45 (10/100Base-T)	<b>Alarm In / Out</b>	N/A
<b>Internal Mic</b>	No	<b>Audio Compression</b>	N/A

## Software

<b>Video Compression</b>	H.265 H.264 MJPEG	<b>Event Trigger</b>	Tamper Detection, Motion Alarm, Network Disconnection, Temperature Critical
<b>Video BitRate</b>	100Kbps ~ 10Mbps	<b>Security</b>	HTTPS(SSL) IP filtering 802.1x, Digest Authentication
<b>Video Streams</b>	1440p20 w/ H.264, H.265 ,MJPEG + 480p30 with H.264,	<b>Protocols</b>	TCP/IP, UDP, AutoIP, RTP(UDP/TCP), RTSP, NTP, HTTP, HTTPS, SSL, DNS, DDNS, DHCP, FTP, SMTP, ICMP, SNMPv1/v2/v3(MIB-2), ONVIF
<b>Base Analytics</b>	Presence Filters (Advanced Motion), Object Tracker	<b>Sys. Compatibility</b>	CGI API, ONVIF Profile S

Dimensional Drawing



Unit : mm