

## VISIX VX-5M20-B-RIAW 5MP Remote Focus IP Bullet Camera

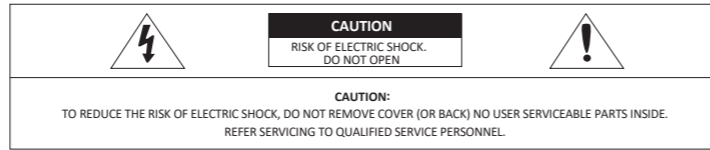
### Quick Start Guide

Ver. 1.3 / 2022.08  
Before installing and using the camera, please read this manual carefully.  
Be sure to keep it handy for future reference.



- a. This device complies with Part 15 of the FCC Rules. Operation is subject to the following two conditions:
1. This device may not cause harmful interference
  2. This device must accept any interference received, including interference that may cause undesired operation
- Note:** This equipment has been tested and found to comply with the limits for a Class A digital device, pursuant to part 15 of the FCC Rules. These limits are designed to provide reasonable protection against harmful interference when the equipment is operated in a commercial environment. This equipment generates, uses, and can radiate radio frequency energy and, if not installed and used in accordance with the instruction manual, may cause harmful interference to radio communications. Operation of this equipment in a residential area is likely to cause harmful interference in which case the user will be required to correct the interference at their own expense
- b. This device complies with CAN ICES-3 (A)/NMB-3(A)  
c. This device is UL and ULC E467574 (Safety) certified  
d. This device complies with CE 2014/30/EU – EMC Directive, 2015/863/EU RoHS3 as part of 2011/65/EU RoHS  
e. This device complies with UKCA Electromagnetic Compatibility Regulations 2016 and UKCA Restriction of the of Certain Hazardous Substances in Electrical and Electronic Equipment Regulations 2012  
f. This device complies with WEEE

## Safety Information



- This symbol indicates that dangerous voltage consisting a risk of electric shock is present within this unit.
- This exclamation point symbol is intended to alert the user to the presence of important operating and maintenance (servicing) instructions in the literature accompanying the appliance.

### WARNING

To prevent damage which may result in fire or electric shock hazard, do not expose this appliance to rain or moisture.

### WARNING

1. Be sure to use only the standard adapter that is specified in the specification sheet. Using any other adapter could cause fire, electrical shock, or damage to the product.
2. Incorrectly connecting the power supply or replacing battery may cause explosion, fire, electric shock, or damage to the product.
3. Do not connect multiple cameras to a single adapter. Exceeding the capacity may cause abnormal heat generation or fire.
4. Securely plug the power cord into the power receptacle. Insecure connection may cause fire.
5. When installing the camera, fasten it securely and firmly. A falling camera may cause personal injury.
6. Do not place conductive objects (e.g. screw drivers, coins, metal things, etc.) or containers filled with water on top of the camera. Doing so may cause personal injury due to fire, electric shock, or falling objects.

7. Do not install the unit in humid, dusty, or sooty locations. Doing so may cause fire or electric shock.
8. If any unusual smells or smoke come from the unit, stop using the product. In such case, immediately disconnect the power source and contact the service center. Continued use in such a condition may cause fire or electric shock.
9. If this product fails to operate normally, contact the nearest service center. Never disassemble or modify this product in any way.
10. When cleaning, do not spray water directly onto parts of the product. Doing so may cause fire or electric shock.

### CAUTION

1. Do not drop objects on the product or apply strong shock to it. Keep away from a location subject to excessive vibration or magnetic interference.
2. Do not install in a location subject to high temperature low temperature or high humidity. Doing so may cause fire or electric shock.
3. If you want to relocate the already installed product, be sure to turn off the power and then move or reinstall it.
4. Remove the power plug from the outlet when there is a lightning. Neglecting to do so may cause fire or damage to the product.
5. Keep out of direct sunlight and heat radiation sources. It may cause fire.
6. Install it in a place with good ventilation.
7. Avoid aiming the camera directly towards extremely bright objects such as sun, as this may damage the CCD image sensor.
8. Apparatus shall not be exposed to dripping or splashing and no objects filled with liquids, such as vases, shall be placed on the apparatus.
9. The Mains plug is used as a disconnect device and shall stay readily operable at any time.

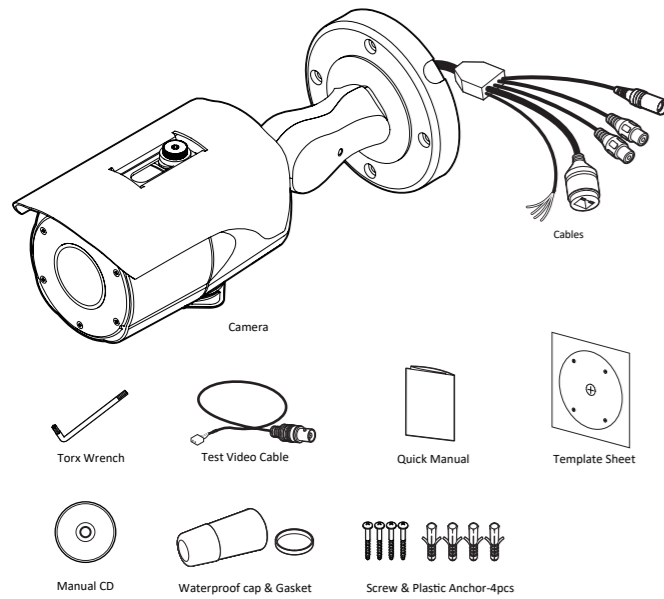
## Important Safety Instructions

### WARNING

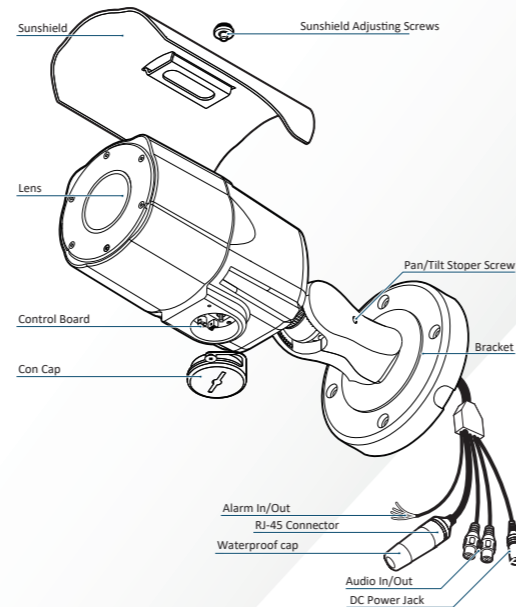
1. Read these instructions.
2. Keep these instructions.
3. Heed all warnings.
4. Follow all instructions.
5. Do not use this apparatus near water.
6. Clean only with dry cloth.
7. Do not block any ventilation openings. Install in accordance with the manufacturer's instructions.
8. Do not install near any heat sources such as radiators, heat registers, or other apparatus (including amplifiers) that produce heat.
9. Do not defeat the safety purpose of the polarized or grounding-type plug. A polarized plug has two blades with one wider than the other. A grounding type plug has two blades and a third grounding prong. The wide blade or the third prong is provided for your safety. If the provided plug does not fit into your outlet, consult an electrician for replacement of the obsolete outlet.
10. Protect the power cord from being walked on or pinched particularly at plugs, convenience receptacles, and the point where they exit from the apparatus.
11. Only use attachments/accessories specified by the manufacturer.
12. Use only with cart, stand, tripod, bracket, or table specified by the manufacturer, or sold with the apparatus.
13. Unplug this apparatus when a cart is used. Use caution when moving the cart/apparatus combination to avoid injury from tip-over.
14. Refer all servicing to qualified service personnel. Servicing is required when the apparatus has been damaged in any way, such as power supply cord or plug is damaged, liquid has been spilled or objects have fallen into the apparatus, the apparatus has been exposed to rain or moisture, does not operate normally, or has been dropped.



## Step 1. Product & Accessories



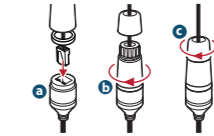
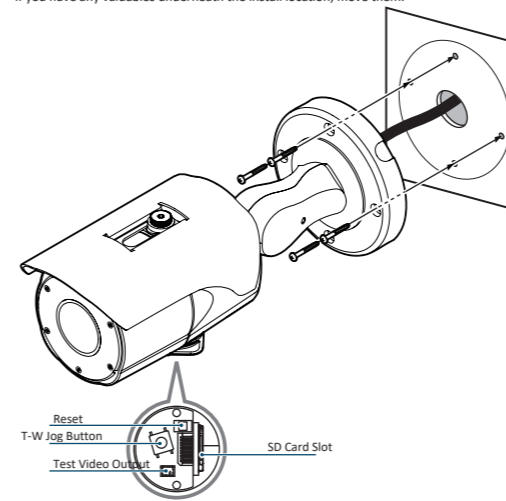
## Step 2. Part Name



## Step 3. Installation

Before installing your camera, please review the following cautionary items:

1. You have to confirm whether the install location can bear five times of the weight of your camera.
2. Do not let allow the cable to be pinched or caught and be sure not to damage electric line. This may lead to fire.
3. When installing your camera, do not allow any person to approach the installation site. If you have any valuables underneath the install location, move them.



- How to connect to the network through the water proof cable**  
Put the Lan cable into (a), then (b) will be assembled to (a) tightly. As a final step, (c) needs to be assembled to (b) without making any space.

1. Using the Template sheet, drill the cabling hole on wall/ceiling.
2. Connect the power, audio, alarm and network cables respectively. See the 'Cabling' section for details.
3. Fix the camera on the wall/ceiling using the provided hardware.
  - Loosen the Pan/Tilt stoper screw slightly before fixing the camera.
4. If necessary, use a test video cable to check the field-of-vision during installation.
  - You can adjust the zoom ratio using the T-W Jog button.



- Reset to the Factory Default**  
Press the reset button for 5 seconds to return the setup to the factory default.
- Warning:**  
If you press the 'Reset' button, you will lose all settings data. If needed, please, make a note of all necessary settings before resetting.

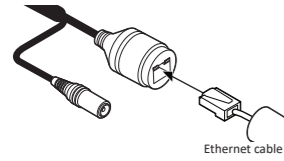
## Step 4. Cabling

### Two Options

Use a PoE-enabled switch to connect data and power through a single cable and begin viewing and recording images instantly. A non-PoE switch will require an adaptor for power transmission.

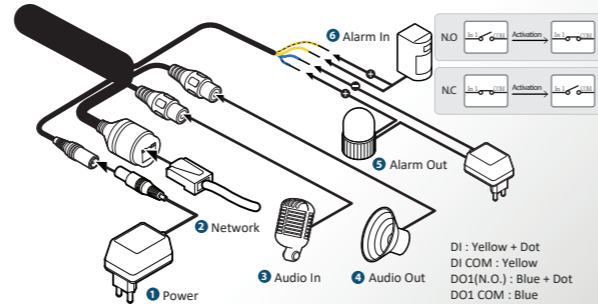
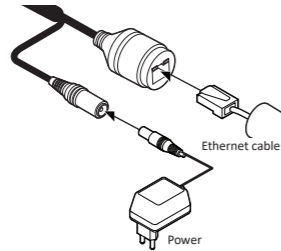
#### 1. Using a PoE-Enabled Switch

The Camera is PoE-compliant, allowing transmission of power and data via a single Ethernet cable. PoE eliminates the need for the different cables used to power, record, or control the camera. Follow the illustration below to connect the camera to a PoE-enabled switch using an Ethernet cable.



#### 2. Using a Non-PoE Switch

If a PoE-enabled switch is not used, use a power adaptor for power transmission and non-PoE switch for data transmission. Follow the illustrations below to connect the camera without a PoE-enabled Switch using an Ethernet cable.



#### 1 Power Connection

Please check the voltage and current capacity of rated power carefully.

| Rated Power | Power Consumption | PoE                 |
|-------------|-------------------|---------------------|
| DC 12V      | 9W                | IEEE 802.3af Class3 |

#### 2 Network Connection

Connect the 'Audio In' cable of the camera to a device (microphone).

#### 3 Audio Out

Connect the 'Audio Out' cable of the camera to device (speaker). Audio Out supports only RTSP Back channel function.

#### 4 Alarm In

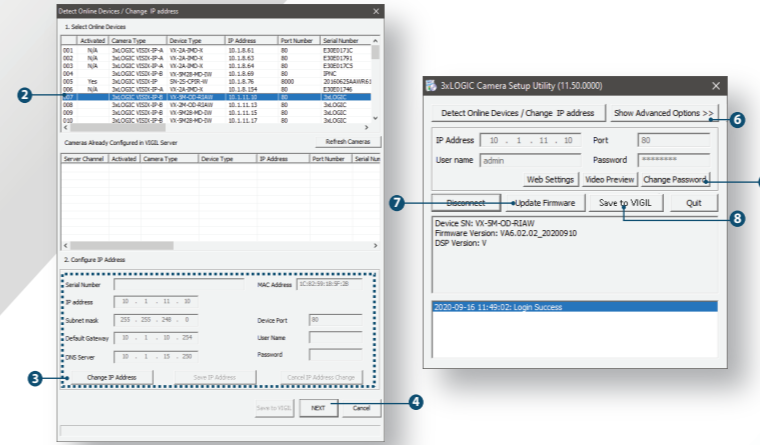
Cable from a sensor/alarm input device should connect to DO1(N.O.) and DO1 COM of the cable slot.

#### 5 Alarm Out

Sensor types are normal open and normal close. Cabling from an alarm output device should connect to DO1(N.O.) and DO1 COM of the cable slot.

DI : Yellow + Dot  
DI COM : Yellow  
DO1(N.O.) : Blue + Dot  
DO1 COM : Blue

## Step 5. IP Installer / Adding to VIGIL Server



- Run the 3xLOGIC Camera Setup Utility
  - Download and install the latest version of the utility (at [www.3xlogic.com](http://www.3xlogic.com)) on the VIGIL Server system. The VIGIL Server should be on the same LAN network as the camera(s) you are adding.
  - Navigate to **Start > Programs > VIGIL-Utilities** and launch the VIGIL Firewall Utility. Create a firewall rule for **VISIXIPSetup Utility** if one has not already been created.
  - Launch VIGIL Server, navigate to **Settings > Cameras**.
  - Open Network Camera Settings and set the Type to **VISIX-IP-B**.
  - Click the **Detect Camera** button. The utilities' **Detect Online Devices** window will now launch automatically with a list of detected cameras on the network.

- Select the desired camera from the list of devices.

- Change IP Info (Optional for non-DHCP environments)
 

The camera will use DHCP by default and should be assigned an IP by your network automatically. If the network lacks DHCP and requires a static IP for the camera, click **Change IP Address** and edit the camera's IP info. Default username and password of **admin / admin** will be required to change IP info. Enter the credentials and click **Save IP Address** after making changes to save the new IP information.

Default TCP/IP information (set after 90 seconds if no DHCP is detected):  
 - IP: 192.168.1.80  
 - Subnet Mask: 255.255.255.0  
 - Gateway: 192.168.1.1  
 - DNS : 168.126.63.1

- After making and saving any IP changes, confirm the camera is still selected in the devices list then click **Next**. The main utility window will now launch.

#### 5 Change Password

- Default USER / PW : admin / admin
 

After the main utility window launches with the camera selected, enter in the default username and password of **admin / admin** then click **Connect**. Once the utility states **Login Success**, click **Change Password**. A pop-up will deploy. Enter and confirm a unique password, then click **OK** to complete the change. A pop-up will confirm success.

- The default user ID and password must be changed for security reasons. Video will not stream from the camera until the default admin password is changed.
- The ID and PW will be set to defaults when a 'factory reset' is performed on the camera.

- Show Advanced Options (Optional)
 

Click **Show Advanced Options** to edit video stream (main stream, sub stream) settings for the camera.

- Update Firmware (Optional)
 

If you have the latest firmware file downloaded (contact 3xLOGIC support for latest available firmware), click **Update Firmware**, locate the firmware file on your system and click **Open**. The utility will install the firmware on the camera.

- Finalizing Setup - Adding to VIGIL Server
 

If adding the camera to VIGIL Server software, click **Save to VIGIL**. The camera will occupy the camera channel you selected in Step 1 (iv) of this section.

- Setup - Standalone
 

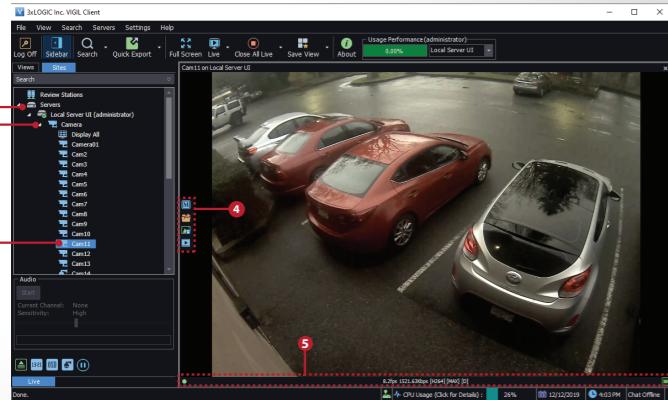
If using as a standalone All-in-One device, download the VISIX Tech Setup app on your mobile device (iOS or Android) and use the app to scan the QR code on the camera. Follow the instructions in the app to complete setup of your camera.

- Rebooting or Resetting the Camera to Factory Settings
 

If a factory reset is required, login to the camera's browser interface (enter IP into a browser URL bar and login to the camera) then navigate to **Setup > System > Factory Reset**. To perform a basic camera reset, navigate to **Setup > System > Restart**.

## Step 6. Viewing Camera in VIGIL Client

After adding the camera to VIGIL Server, 3xLOGIC recommends VIGIL Client for viewing live and playback. Client's powerful tool set can be leveraged by users to thoroughly and quickly review camera footage and other data collected by a VIGIL Server. After adding a VIGIL Server to VIGIL Client, refer to the steps in this section for details on viewing the camera's footage in VIGIL Server.



- After launching VIGIL Client, extend the **Servers** node located in the Sites tab treeview then double-click the desired VIGIL Server to reveal available devices and tools.

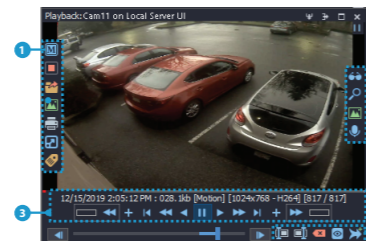
- Expand the **Camera** node to reveal the VIGIL Server's cameras.

- Double-click the desired camera. The camera's live stream will be automatically displayed in the viewing area.

- Live Edge Controls instantly grant the user access to common tools such as Capture Still Image, Instant Replay and Stream Type Selection.

- Stream information such as FPS rate, bitrate and CODEC type are listed when the cursor hovers over the bottom edge of the frame.

Select Instant Replay from the Live Edge Controls to open the last 5 minutes of footage from the camera or perform a playback search to review a custom time range of playback. A Playback viewer featuring the requested footage will deploy.



- Playback Left-Edge controls include Export Video or Stills, Stream Mode Selection and Screen Record, etc...

- Right-Edge Controls include more tools such as Smart Search, Audio and Zoom Controls and Image Control.

- Stream information and standard playback controls are accessible at the bottom of the frame.

- Located next to the scrub bar, footage markers and export tools can be used to quickly narrow down and export portions of interest within larger video clips.

For further details on reviewing and exporting playback and other advanced features such as audio recording and two-way audio talk, POS Data OSD and more, please visit [www.3xlogic.com](http://www.3xlogic.com) and consult the product documentation library for VIGIL Client-related support documentation.

## Disposal of Old Appliance



- When this crossed-out wheel bin symbol is attached to a product it means the product is covered by the European Directive 2002/96/EC.
- All electrical and electronic products should be disposed of separately from the municipal waste stream in accordance with laws designated by the government or the local authorities.
- The correct disposal of your old appliance will help prevent potential negative consequences for the environment and human health.
- For more detailed information about disposal of your old appliance, please contact your city office, waste disposal service or the shop where you purchased the product.

# 3XLOGIC

11899 Exit 5 Parkway, Suite 100, Fishers, IN 46037, USA  
 Pegasus Park, De Kleetlaan 5BC, 1831 Diegem, Belgium  
 1 Park Gate Close, Bredbury, Stockport, Cheshire, SK6 2SZ, UK  
[helpdesk@3xlogic.com](mailto:helpdesk@3xlogic.com) | [www.3xlogic.com](http://www.3xlogic.com)