

VISIX 20MP (4x5MP) Vari-Focal Multi Imager Surround View IP Camera w/ WDR and 4 x 2.8mm-8mm Zoom

This 20MP (4x 5MP) Surround-view IP camera provides high-definition coverage with four independent lenses capable of manual adjustment for pan/tilt and remote zoom functionality. Each independent lens can be positioned to cover virtually any security footprint. Additional coverage can be gained by center positioning a lens. This can be particularly effective in corner mount use cases where not only side views are needed but also directly below. Displaying up to 2592x1944 pixels per lens, this vandal-resistant network dome camera is designed to integrate seamlessly with the full family of VIGIL™ Video Management System (VMS) software modules.

When coupled with the VIGIL™ Series of Network Video Recorders (NVR) and Video Management System (VMS) software, superior point-to-point hardware compression and decompression allows for maximum performance of streamed live video providing better video quality, more concurrent streams and a lower overall hit to CPU performance. Combined with VIGIL Server's Substream Motion Detection and RapidStream technologies, the camera's video can be viewed remotely in both live and playback modes with minimal impact on your network.



Typical Use Cases



**K-12
EDUCATION**



**WAREHOUSE &
DISTRIBUTION**



**SMALL/MEDIUM
BUSINESS**



RETAIL

Key Features and Benefits

Lens	4x 2.8mm-8mm Varifocal
Resolution (MegaPixel)	5MP Per Lens (4x5MP)
Audio (Mic)	✓
H.264/H.265/MJPEG	✓
Wide Dynamic Range	120 dB
IK10 Impact-Resistant	✓
IP67 Weather-Resistant	✓
4 Year Warranty	✓
Base Analytics	✓

What's in the Box

Template Sheet
Torx Wrench
Waterproof Cap & Gasket
Screws & Anchors
Mount Bolts & Nuts

Camera

Image Sensor:	SONY STARVIS EXMOR 1/2.8" 5M CMOS x4
Lens	2.8mm~8mm, F1.6
Motorized?	Yes
Angle of View	D : 64°~119° H :51°~93° V : 39°~68°
Min Illum	0.1Lux, (B/W)0.05Lux (F1.6)
Pan / Tilt / Zoom	Z: x3 Optical
Shutter Time	Auto / Manual: 1/30 ~ 1/32,000, Anti-Flicker, Slow Shutter (1/2,1/3,1/5,1/6,1/7.5,1/10)
Day/Night	TDN (True Day & Night)
WDR	120dB or above

Compression Standard

Video Compression	H.264, H.265, MJPEG
Bit Rate	100Kbps ~ 10Mbps
Video Streams	2592x1944p30 + 480p30

Image

Max Image Resolution	2592 x1944 per sensor (20MP total)
Frame Rate	30fps

Functions

Alarm Triggers	Motion Alarm, Temperature critical, DI
Base Analytics	Tamper Detection, Presence Filters (Advanced Motion), Object Tracker
Storage	4 x microSD / microSDHC / micro SDXC (not included)
Security	HTTPS(SSL), IP filtering, 802.1x, Digest Authentication
Protocols	Pv4 ,TCP/IP, UDP, AutoIP, RTP(UDP/TCP), RTSP, NTP, HTTP, HTTPS, SSL, DNS, DDNS, DHCP, FTP, SMTP, ICMP, SNMPv1/v2/v3(MIB-2), ONVIF CGI API, ONVIF (Profile S)
System Compatibility	

Physical

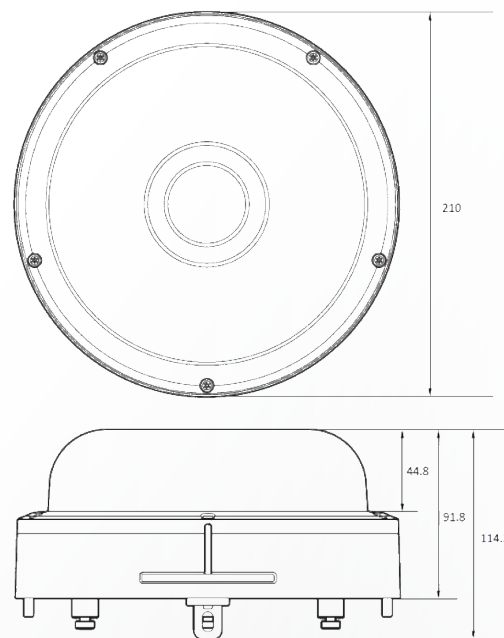
Operating Conditions	-30°C ~ 50°C (-22°F ~ 122°F)
Humidity	10~90% RH (non-condensing)
Weather Proof Rating	IP67
Impact Protection	IK10
Housing Material	Aluminum
Dimensions (D x H)	Ø210 x 92mm
Weight	2.1kg

Electrical

Power Supply	DC12V, PoE++ (IEEE 802.3bt Class5)
Power Consumption	DC12V Max 28W, PoE Max 31W

Certifications / Compliance

FCC Part 15, Subpart B, Class B
 CAN ICES-3 (A)/NMB-3(A)
 UL and ULC Safety
 CE
 NDAA Compliant



Unit : mm



Interface

Communication	(1) RJ45(10/100BASE-T)
Audio Input	1[1.0Vrms, 3K ohm]/1*
Audio Output	1*
Alarm In	1*
Alarm Out	1*
Video Out	1 CVBS 1.0V p-p(75ohm)

Part Number

VX-20M-SURROUND-OD-RAW	Base Camera (4x VIGIL Server IP Camera licenses included)
VX-20M-SURROUND-OD-RAW-A	Add Advanced Analytics License (applied per lens. Max: 4) **

Warranty

Four (4) years

Recommended Mounts

VX-WM-BW16	Wall Mount w/ Junction Box
VX-WM-BW15	Wall Mount
VX-JB-BCJ06	Junction Box
VX-PM-BC15	Pendant Mount

* **NOTE:** Audio and Alarm I/O capability only applies to Channel 1 / Lens 1.

** **NOTE:** An advanced analytics license can be added to a Base Camera at any time to unlock advanced analytics. Speak to a 3xLOGIC Sales Associate for more info.