

VISIX VX-20M-SURROUND-OD-RAW 20MP(4x5MP) Surround View Multi Imager

Quick Start Guide

Ver. 1.1/ 2022.08
Before installing and using the camera, please read this manual carefully.
Be sure to keep it handy for future reference.



- a. This device complies with Part 15 of the FCC Rules. Operation is subject to the following two conditions:
1. This device may not cause harmful interference
2. This device must accept any interference received, including interference that may cause undesired operation
Note: This equipment has been tested and found to comply with the limits for a Class A digital device, pursuant to part 15 of the FCC Rules. These limits are designed to provide reasonable protection against harmful interference when the equipment is operated in a commercial environment. This equipment generates, uses, and can radiate radio frequency energy and, if not installed and used in accordance with the instruction manual, may cause harmful interference to radio communications. Operation of this equipment in a residential area is likely to cause harmful interference in which case the user will be required to correct the interference at their own expense
- b. This device complies with CAN ICES-3 (A)/NMB-3(A)
c. This device is UL and ULC E467574 (Safety) certified
d. This device complies with CE 2014/30/EU – EMC Directive, 2015/863/EU RoHS3 as part of 2011/65/EU RoHS
e. This device complies with UKCA Electromagnetic Compatibility Regulations 2016 and UKCA Restriction of the of Certain Hazardous Substances in Electrical and Electronic Equipment Regulations 2012
f. This device complies with WEEE

Safety Info

These instructions are intended to ensure that the user can use the product correctly to avoid danger or property loss.



WARNINGS : Serious injury or death may be caused if any of these warnings are neglected.

POWER

- Use only standardized adapters written in the manual. Incorrect connection of the power source can cause fire, electric shock, or failure.
- If there is smoke or a strange smell from the power source, disconnect the power immediately and contact the service center or purchasing office. If you continue to use it as it is, it can cause fire and electric shock.
- Disconnect the power plug from the outlet before connecting to the power terminal block.

INSTALLATION

- Install it according to the temperature and humidity environment suitable for the product specifications. Otherwise, it can cause fire and electric shock.
- Thunder and lightning can cause problems with the camera. When installing, be careful to minimize damage caused by lightning such as grounding.
- Do not place conductive materials (drivers, coins, metal sticks, etc.) and water-filled containers on the camera. It causes injuries caused by fire, electric shock, and falling.
- If you want to move the installed product, turn off the power and move it or reinstall it. Otherwise, it can cause fire and electric shock.
- Do not install it in places where there is a lot of moisture, dust, soot, etc. It causes fire and electric shock.
- Avoid places where direct sunlight comes in or where heat comes out, such as heating appliances. It causes fire and electric shock.

CLEANING

- Do not spray water directly on each part of the product when cleaning. It causes fire and electric shock.

If the product is not functioning properly or damaged, contact the service center or purchasing office.



CAUTIONS : Injury or equipment damage may be caused if any of these cautions are neglected.

POWER

- Use the power line after fixing it firmly to the power connection terminal. Incomplete connection can cause a fire.
- Do not extend the adapter output cable. If you need to install the power cable extension, please contact the service center.
- Use insulated power for PoE connected external power.

INSTALLATION

- It is recommended not to touch the lens when installing the product as the factory ships with a focus adjustment completed during the manufacturing completion inspection phase.
- Avoid installing cameras facing bright lights like sunlight. Causes damage to the image sensor.
- Make sure it safe and securely when installing camera on the wall or ceiling. This can cause injury by the fall.
- Do not connect multiple cameras to one adapter. Excess capacity causes abnormal heat and fire.
- Wear protective gloves when installing/uninstalling the camera. This causes burns caused by high temperature on the surface of the product.
- Don't drop or shock the product. Please stay away from places where vibration is severe or magnet types are present.
- Install it in a well-ventilated place. This can cause fire and failure.

CLEANING

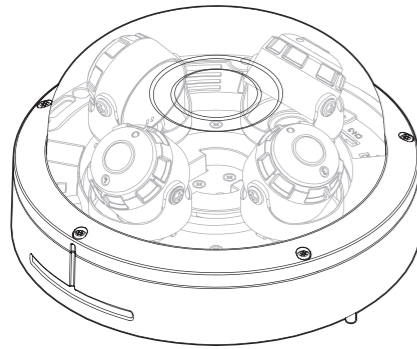
- Wipe the contaminated surface with a clean, soft, dry cloth or wet the soft, dry cloth to prevent water from flowing, then wipe the contaminated area.

Install / Use Precautions

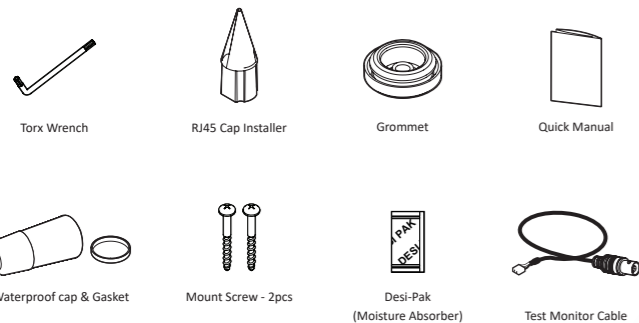
- The battery (battery pack or equipped battery) must not be exposed to excessive heat such as sunlight, fire, etc.
- Do not disassemble the camera at your discretion.
- If you forcefully install the product with excessive force, malfunction can damage the camera.
- Do not punch or shake the camera and be careful not to damage the camera with careless storage or malfunction.
- Be careful not to install the camera in a rainy or humid place, and do not leave it in a wet place.
- Installing or using the product in water can cause serious product failure.
- Do not install the product if there is chemical or vapor in the place where the product is installed, or if it can be generated.
- Be careful not to get chemicals on the surface of the product when installing the product. Chemical solvents such as cleaning agents and adhesive components can cause fatal damage to the surface of the product.
- Do not install it near the kitchen or cooking table as edible oil such as soybean oil can also cause product damage and deformation. It can cause product damage.
- Be careful not to get foreign substances on the Micro SD card terminal. If there is any foreign substance, wipe it with a soft cloth.
- Data will not be saved at the end of the life of the Micro SD card. In this case, purchase a new Micro SD card.
- Moisture may occur in the glass of the camera when the new product box is opened (or when the product is initially running). The generated moisture is removed by a Gore vent attached to the camera within hours of the power connection.
- For products enclosed with a desiccant or card-type absorbent, please install it according to the manual.



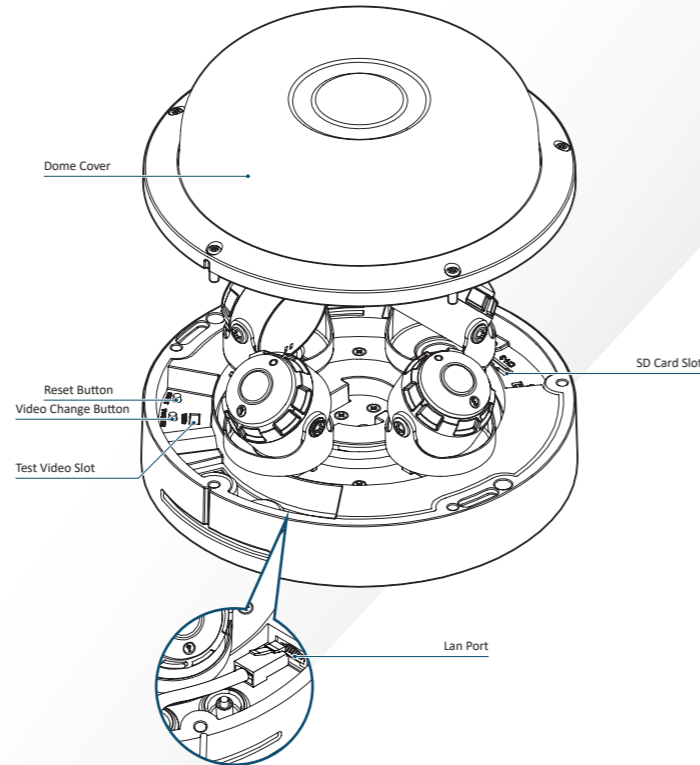
Step 1. Product & Accessories



Camera



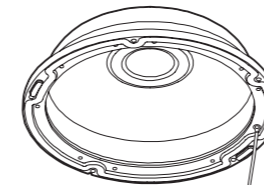
Step 2. Part Name



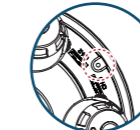
Step 3. Disassemble the Camera

Before installing your camera, you have to read the following cautions.

- You have to check whether the location can bare five times the weight of your camera.
- Do not let the cable be caught in improper place or the wiring to be damaged. Otherwise it may lead to malfunction or fire.
- When installing your camera, do not allow any person to approach the installation site. If you have any valuable things under the installation site, move them.



- Connect the safety hook to the screw on the bottom case and dome cover with the wire.



Reset to the Factory Default

Press the reset button for 5 seconds to return the setup to the factory default.

Warning :

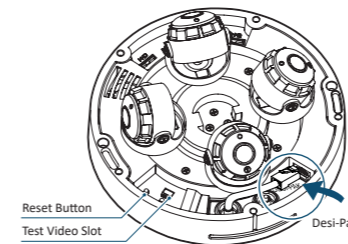
If you press the 'Reset' button, you will lose all settings data. If needed, please, note current settings before resetting.

Desi-Pak (Moisture Absorber)

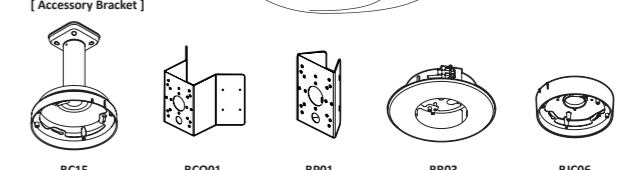
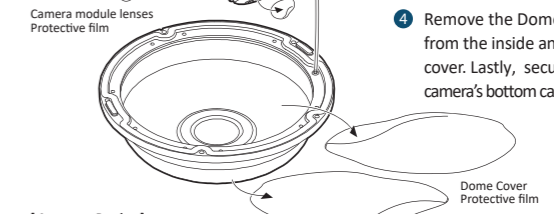
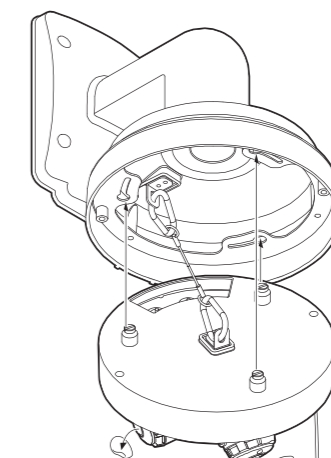
When installing, unseal the vacuum-packed Desi-Pak and install it in the marked position. When inserting or removing Desi-Pak, be careful as it may be torn if you use a pointed or sharp tool.

Test Video Slot

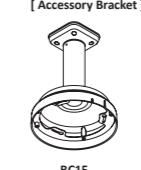
When you connect the Test Monitor Cable to the Test Video Slot, the screen of CAM1 appears. Each time you press Video Change Button, the screen changes in order of CAM1, CAM2, CAM3, and CAM4.



Step 4. Installation



- Attach the Bottom case to the Mount Bracket. Fix it with safety wire to the bottom case and fasten it to fit the joint of the Bracket and Bottom case well.
- Assemble the bottom case and bracket.
Before mounting camera to mounting surface, remove the rubber screw stopper.
- Adjust the camera module on the magnet surface for the optimal coverage and view. Each camera module snaps into position using the magnetic track, allowing for customization and fully adjustable views.
Remove the protective film attached to the four camera module lenses.
- Remove the Dome cover protective film from the inside and outside of the dome cover. Lastly, secure the dome cover to the camera's bottom case using the torx wrench.



BC15

BC001

BP01

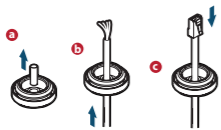
BR03

BJC06

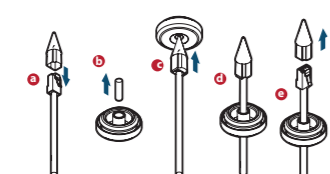
Step 5. Cabling

How to connect the Network Cable
Refer to the picture below and connect the network cable.

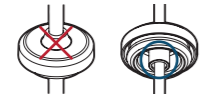
1 Installation Method 1



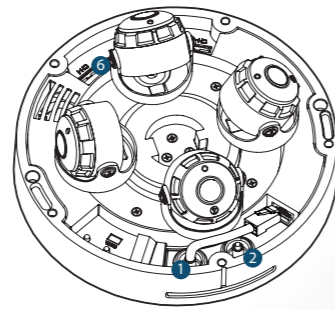
2 Installation Method 2



1. Insert the RJ-45 cap Installer into the Lan cable.
2. Remove the Grommet blocking the bottom hole of the camera.
3. Pass LAN cable with cap installer through the hole of GROMMET from bottom to top.
4. Pay attention to the direction of the Grommet connection when connecting cables.



5. Remove the RJ-45 cap Installer before connecting the LAN cable to the camera.
6. Connect the Lan Cable to the camera.
7. After completing the cable installation, insert Grommet into the bottom case.



+	-	+	-	+	-				
DC12V	DI	DO	AUDIO						

1 Network Connection

Connect the Straight through or crossover cable.

- ⚠ Bending the cable can cause water leakage.
- ⚠ Lan Cable thickness $\phi 5.0 \sim \phi 8.0\text{mm}$.

2 I/O Cable Connection

3 Power

Please check the correct rated power.

4 Sensor/Alarm Input (DI)

Cable of the sensor/alarm input device should connect to + and - of the Terminal Block.

Alarm Out/Relay Out (DO)

It connects to the alarm lights, siren or lamps and the sensor types are normal open and normal close.

5 Audio In

Connect the 'Audio In' port of the camera to the microphone directly or 'Line Out' port of the amplifier connected with microphone.

- ⚠ If the microphone is connected directly, the microphone with the embedded amplifier such as condenser mic. needs to be used.

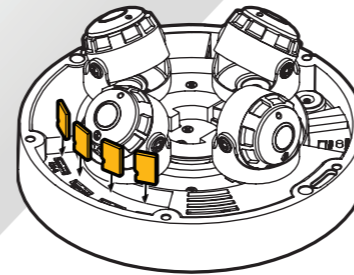
Audio Out

Connect the 'Audio Out' port of the camera to the 'Line In' port of the speaker.

- ⚠ If the speaker without the amplifier is connected to Audio Out port, it doesn't work properly. Therefore, the speaker with the amplifier or the separate amplifier is needed.
- ⚠ Audio Out supports only RTSP Back channel function. It plans to make it available on the web later.

6 SD Card Slot

Step 6. micro SD Card Install

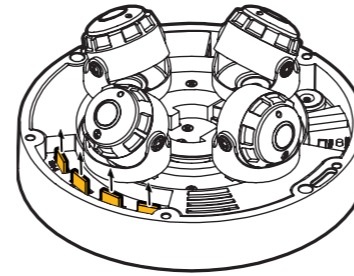


1 Insert the SD card in the arrow direction

- Insert the SD card in the arrow direction.
- ⚠ Don't insert the SD memory card while it's upside down by force. Otherwise, it may damage the SD memory card.
- ⚠ Use the tweezers when inserting or picking out the SD card.

2 Removing the SD Memory Card

- Removing the SD Memory Card Gently press down on the exposed end of the memory card as shown in the diagram to eject the memory card from the slot.
- ⚠ Pressing too hard on the SD memory card can cause the card to shoot out uncontrollably from the slot when released.
- ⚠ If you have saved data in the SD memory card, removing the SD memory card prior to setting record to OFF will cause damage to the data stored in the card.



Step 7. IP Installer

1 VIGIL Server 12.00.0400 Required

The VX-20M-SURROUND-OD-RAW is compatible with VIGIL Server 12.00.0400 or newer. Contact support for details on updating your VIGIL Server to 12.00.0400.

2 Run the 3xLOGIC Camera Setup Utility

- Download and install the latest version of the utility (at www.3xlogic.com) on the VIGIL Server system. The VIGIL Server should be on the same LAN network as the camera(s) you are adding.
- Navigate to **Start > Programs > VIGIL-Utilities** and launch the VIGIL Firewall Utility. Create a firewall rule for **VISIXIPSetup Utility** if one has not already been created.
- Launch VIGIL Server, navigate to **Settings > Cameras**.
- Select the desired camera channel from the treeview.
- Open **Network Camera Settings** and set the **Type** to **VISIX-IP-B**.
- Click the **Detect Camera** button. The utilities' **Detect Online Devices** window will now launch automatically with a list of detected cameras on the network.

3 Select the desired camera from the list of devices.

4 Change IP Info (Optional for non-DHCP environments)

The camera will use DHCP by default and should be assigned an IP by your network automatically. If the network lacks DHCP and requires a static IP for the camera, click **Change IP Address** and edit the camera's IP info. Default username and password of **admin / admin** will be required to change IP info. Enter the credentials and click **Save IP Address** after making changes to save the new IP information.

- ⚠ Default TCP/IP information (set after 90 seconds if no DHCP is detected).
- IP: 192.168.1.80
- Subnet Mask: 255.255.255.0
- Gateway: 192.168.1.1
- DNS : 168.126.63.1

5 After making and saving any IP changes, confirm the camera is still selected in the devices list then click **Next**. The main utility window will now launch.

6 Change Password

- ⚠ Default USER / PW : admin / admin

After the main utility window launches with the camera selected, enter in the default username and password of **admin / admin** then click **Connect**. Once the utility states **Login Success**, click **Change Password**. A pop-up will deploy. Enter and confirm a unique password, then click **OK** to complete the change. A pop-up will confirm success.

- ⚠ The default user ID and password must be changed for security reasons. Video will not stream from the camera until the default admin password is changed.

- ⚠ The ID and PW will be set to defaults when a 'Factory reset' is performed on the camera.

7 Show Advanced Options (Optional)

Click **Show Advanced Options** to edit video stream (main stream, sub stream) settings for the camera.

8 Update Firmware (Optional).

If you have the latest firmware file downloaded (contact 3xLOGIC support for latest available firmware), click **Update Firmware**, locate the firmware file on your system and click **Open**. The utility will install the firmware on the camera.

9 After applying any new camera settings, click **Save to VIGIL**.

10 Select Lens

When **Save to VIGIL** is clicked, a pop-up will deploy that allows the user to select which lens/sensor to save. Select which of the four camera sensors to save to VIGIL and click **OK** to save. The lens will occupy the camera channel you selected in Step 1 (iv) of this section.

- ⚠ For adding camera lenses (sensors) to 3rd party platforms, use the below RTSP URL for each sensor/stream. Each sensor can be treated as an independent camera (two streams per sensor).

Sensor 1 Main Stream = `rtsp://xxx.xxx.xx/channel1`
 Sensor 1 Sub Stream = `rtsp://xxx.xxx.xx/channel2`
 Sensor 2 Main Stream = `rtsp://xxx.xxx.xx/channel5`
 Sensor 2 Sub Stream = `rtsp://xxx.xxx.xx/channel6`
 Sensor 3 Main Stream = `rtsp://xxx.xxx.xx/channel9`
 Sensor 3 Sub Stream = `rtsp://xxx.xxx.xx/channel10`
 Sensor 4 Main Stream = `rtsp://xxx.xxx.xx/channel13`
 Sensor 4 Sub Stream = `rtsp://xxx.xxx.xx/channel14`

11 Adding Additional Lenses to VIGIL Server

After adding the first of the four camera lenses, please note that when adding subsequent lenses to VIGIL Server, the camera will be listed under the setup utilities' **Cameras Already Configured in VIGIL Server** list. Select the camera from this list and click **Save to VIGIL** to open the lens selection pop-up and assign one of the remaining lenses. Repeat this process until all lenses have been added.

12 Rebooting or Resetting the Camera to Factory Settings

If a factory reset is required, login to the camera's browser interface (enter IP into a browser URL bar and login to the camera) then navigate to **Setup > System > Factory Reset**. To perform a basic camera retart, Navigate to **Setup > System > Restart**

Disposal of Old Appliance



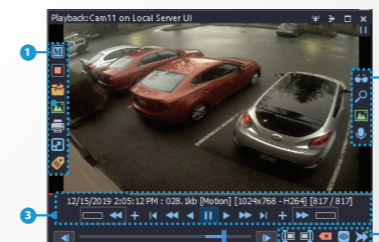
1. When this crossed-out wheel bin symbol is attached to a product it means the product is covered by the European Directive 2002/96/EC.
2. All electrical and electronic products should be disposed of separately from the municipal waste stream in accordance to laws designated by the government or the local authorities.
3. The correct disposal of your old appliance will help prevent potential negative consequences for the environment and human health.
4. For more detailed information about disposal of your old appliance, please contact your city office, waste disposal service or the shop where you purchased the product.

1. Playback Left-Edge controls include Export Video or Stills, Stream Mode Selection and Screen Record, etc...
2. Right-Edge Controls include more tools such as Smart Search, Audio and Zoom Controls and Image Control.
3. Stream information and standard playback controls are accessible at the bottom of the frame.
4. Located next to the scrub bar, footage markers and export tools can be used to quickly narrow down and export portions of interest within larger video clips.

For further details on reviewing and exporting playback and other advanced features such as audio recording and two-way audio talk, POS Data OSD and more, please visit www.3xlogic.com and consult the product documentation library for VIGIL Client-related support documentation.

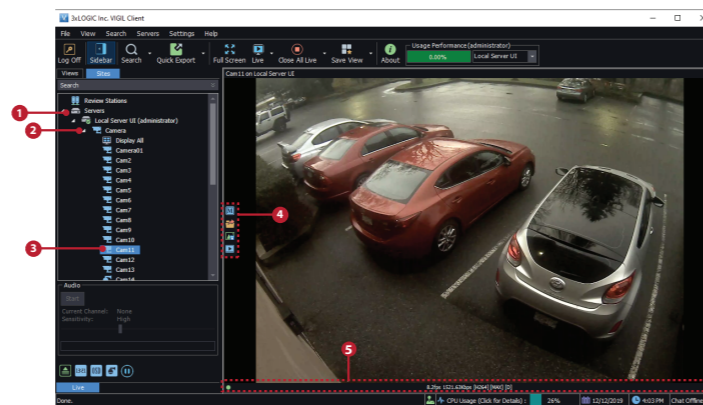
1. Double-click the desired camera. The camera's live stream will be automatically displayed in the viewing area.
2. Live Edge Controls instantly grant the user access to common tools such as Capture Still Image, Instant Replay and Stream Type Selection.
3. Stream information such as FPS rate, bitrate and CODEC type are listed when the cursor hovers over the bottom edge of the frame.

Select Instant Replay from the Live Edge Controls to open the last 5 minutes of footage from the camera or perform a playback search to review a custom time range of playback. A Playback viewer featuring the requested footage will deploy.



Step 8. Viewing Camera in VIGIL Client

After adding the camera to VIGIL Server, 3xLOGIC recommends VIGIL Client for viewing live and playback. Client's powerful tool set can be leveraged by users to thoroughly and quickly review camera footage and other data collected by a VIGIL Server. After adding a VIGIL Server to VIGIL Client, refer to the steps in this section for details on viewing the camera's footage in VIGIL Server.



4. After launching VIGIL Client, extend the **Servers** section in the Sites tab treeview then double-click the desired VIGIL Server to reveal available devices and tools.
5. Expand the **Camera** node to reveal the VIGIL Server's cameras.

Step 7 cont'd

