

VISIX 2 Megapixel Outdoor Dome Analog HD with Remote Focus, IR, WDR

The VA-2MD-OD-RIWH-02 is a 2 megapixel, high resolution, low distortion, and low noise 1080p HD analog dome camera. The VA-2MD-OD-RIWH-02 features a high performance CMOS sensor producing a high quality image suitable for replacing aging analog cameras without replacing existing coaxial cabling. Whether you're replacing existing cameras or installing new, the VA-2MD-OD-RIWH-02 will detect 24VAC and 12VDC. A pigtail to convert power to female plug is included if replacing an existing analog camera. Features such as remote focus, IR, and wide dynamic (WDR) are included. A true day/night camera for use in low-light conditions down to 0 lux (with IR), the standard IR cut filter with auto switch, provides superior night-time video. This camera is designed to continue functioning at top performance at temperatures as low as -30°C (-40°F) and as high as 50°C (122°F) allowing a wide range of applications.

Superior compatibility with VIGIL™ products via VIGIL Server allows for the best performance and capabilities possible. VIGIL Server's intuitive design provides ease of use for the most basic user while providing virtually unlimited flexibility for the advanced. VIGIL Server has also been engineered to be securely and seamlessly accessible via 3xLOGIC's remote VIGIL Client and VIEW Lite II, utilities, giving you access to your Server and its cameras from single or multiple remote location(s). By leveraging VIGIL Server's rich feature set, including simple and efficient playback search and review, Smart Search, motion recording and alarms, the VISIX Analog HD camera line can greatly increase your surveillance capabilities while requiring none of the additional costs that are often associated with replacing existing cabling or installing an entirely new infrastructure to support an IP camera network.



Key Features and Benefits

Resolution	2 MP(1920 X 1080)
Frame Rate	30 fps
Lens	2.8-12mmVarifocal
WDR (True)	120 dB
Built-in IR	Up to 30m
Outdoor	IP66
Impact	IK10
OSD Menu	✓
Warranty	4-Year

Typical Use Cases



WAREHOUSE & DISTRIBUTION



FINANCE & BANKING



HOTEL & RESTAURANT

What's in the Box

Template Sheet
Torx Wrench
Screw & Anchor
Test Video Cable

Moisture Absorber & Guide
DC Plug Cable

Camera

Image Sensor:	Panasonic 1/3" CMOS
Lens	2.8 ~ 12mm
Motorized?	Yes
Angle of View	D:99.8°, H:86°, V:46.8°(Wide)
Min Illum	0.03Lux (F1.4, 30IRE), 0 lux(With IR)
IR Range	30m
Shutter Time	1/30(25)-1/30000
Day/Night	TDN (True Day & Night)
WDR	WDR - 120dB

Compression Standard

Video Compression	AHD/TVI/CVI/CVBS
Video Streams	1080p30fps

Image

Max Image Resolution	1920 X 1080
Frame Rate	30fps

Physical

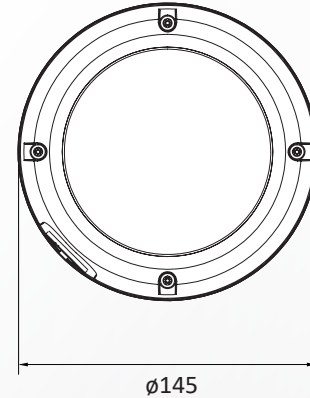
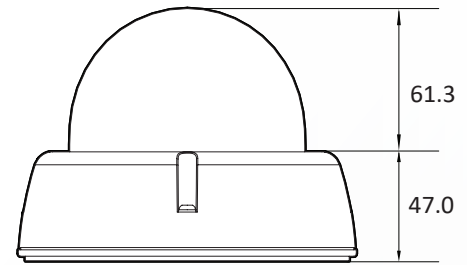
Operating Conditions	-30°C ~ 50°C (-22°F ~ 122°F)
Humidity	10-90% RH (non-condensing)
Weather Proof Rating	IP66
Impact Protection	IK10
Housing Material	Aluminum
Dome Material	Lexan 143R
Dimensions (D x H)	145 x 108.3 mm (5.7 x 4.26 in)
Weight	0.9kg

Electrical

Power Supply	DC12V/AC24V Dual Voltage
Power Consumption	DC12V(LED OFF) : 2.94W DC12V(LED ON) : 5.22W AC24V(LED OFF) : 2.5W AC24V(LED ON) : 4.35W

Certifications and Compliance

FCC Part 15, Subpart B, Class B
 CAN ICES-3 (A)/NMB-3(A)
 UL and ULC Safety
 CE
 NDAA Compliant



Interface

Communication	RJ45(10/100BASE-T)
Alarm Output	1

Part Number

VA-2MD-OD-RIWH-02	Base Camera
-------------------	-------------

Warranty

Four (4) years

Recommended Mounts

VX-JB-BJC02	Junction Box
VX-GP-02	Gang Plate