

VISIX 4MP, Fixed 4mm Lens, Indoor/Outdoor Mini-Bullet with IR, True WDR, IP67 rated

This 4 megapixel indoor/outdoor IP camera from 3xLOGIC was engineered to provide high-definition video in changing or challenging lighting conditions. With its active IR sensors and infrared cut filter, this camera excels in low-light situations. The camera provides dual-streaming high-definition video at a full 1920 x 1080 pixels for video surveillance applications requiring superior clarity and image detail. The VX-SMBK-B-IW is packed with all the features you might need for nearly any application including low-light day/night functionality; IP66 Weather-Resistance and compatibility with a wide variety of standardized network protocols.

This aesthetically-pleasing mini-bullet camera allows unobtrusive and easy installation in a wide variety of areas. In addition, this camera is designed to continue functioning at top performance at temperatures as low as -20°C (-4° F) and as high as 50°C (122° F) allowing a wide range of applications. Comes standard with a 4mm lens providing support for most applications. The progressive scan image sensor delivers excellent image quality in challenging and ever-changing lighting conditions.

Dual-streaming compression permits recording at the highest quality while allowing fast live viewing from anywhere in the world regardless of available bandwidth. In addition, with full support for both variable bit rate and variable frame rate, the quality of each stream can be matched to available bandwidth for the most effective video quality possible.

When coupled with the VIGIL Series of digital video recorders and Video Management System (VMS) software from 3xLOGIC, superior point-to-point hardware compression and decompression allows for maximum performance of streamed live video providing better video quality, more concurrent streams and a lower overall hit to CPU performance.



Key Features and Benefits

Resolution	4 MP (2592 x 1944)
Frame Rate	20 fps
Lens	4mm Fixed
WDR (True)	120 dB
Built-in IR	Up to 50m
Outdoor	IP66
Warranty	4-Year
Base Analytics	✓

Typical Use Cases



HOTEL & RESTAURANT



SMALL/MEDIUM BUSINESS



FINANCE & BANKING

What's in the Box

Template Sheet
Torx Wrench
Waterproof Cap & Gasket
Screw & Anchor
Test Video Cable
Moisture Absorber & Guide

Camera

Image Sensor	1/2.8" 5.14M CMOS (Sony Starvis)
Lens:	4.0mm, F2.0, Fixed
Motorized?	No
Angle of View	D:95.1°, H:81.0°, V:43.1°
Min Illum	0.16Lux, 0Lux with IR (F2.0)
IR Range	50m
Shutter Time	1/15 ~ 1/32000
Day/Night	TDN (True Day & Night)
WDR	WDR - 120dB

Compression Standard

Video Compression	H.264, H.265, MJPEG
Bit Rate	100Kbps ~ 10Mbps
Video Streams	1440p30 + 480p30 with H.264, H.264 + MJPEG

Image

Max Resolution	2560 x 1440
Frame Rate	20fps

Functions

Base Analytics	Tamper Detection, Presence Filters (Advanced Motion), Object Tracker, Network Disconnection, Temperature Critical
Security Protocols	HTTPS(SSL), IP filtering, 802.1x, Digest Authentication TCP/IP, UDP, AutoIP, RTP(UDP/TCP), RTSP, NTP, HTTP, HTTPS, SSL, DNS, DDNS, DHCP, FTP, SMTP, ICMP, SNMPv1/v2/v3(MIB-2), ONVIF
Sys. Compatibility	CGI API, ONVIF (Profile S)

Physical

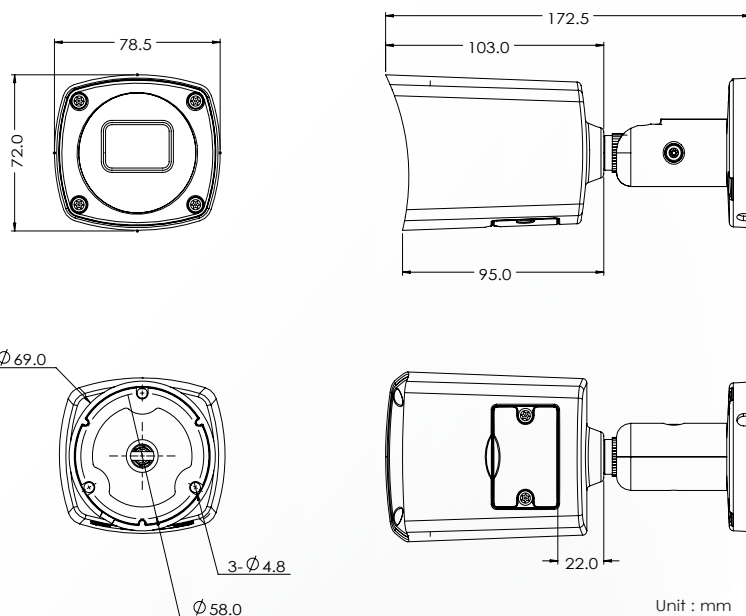
Op. Conditions	-20°C ~ 50°C (-4°F ~ 122°F)
Humidity	10-90% RH (non-condensing)
Weather Proofing	IP67
Housing Material	Aluminum
Dimensions (D x H)	78.5mm x 72.0mm x 174.0mm
Weight	0.66kg
Local Storage	128GB Max. Micro SD / SDHC / SDXC

Electrical

Power Supply	DC DC12V / POE IEEE 802.3af (Adaptor not included)
Power Consumption	DC12V Max 7.2W PoE Max 7.7W

Certifications and Compliance

FCC Part 15, Subpart B, Class A
 CAN ICES-3 (A)/NMB-3(A)
 UL and ULC Safety
 CE
 NDAA Compliant



Interface

Communication	RJ45 (10/100BASE-T)
---------------	---------------------

Part Number

VX-SMBK-B-IW	Base Camera
VX-SMBK-B-IW-A	Add Advanced Analytics License *

Warranty

Four (4) years

Recommended Mounts

Universal Mount	Included
VX-JB-BJC07	Junction Box

*** NOTE:** - A advanced analytics license can be added to a Base Camera at any time to unlock advanced analytics functionality. Speak to a 3xLOGIC Sales Associate for more info.