

## VISIX 8MP Indoor/Outdoor Dome with Remote Focus (3.6-10mm), IR, Audio and Alarm I/O, and True WDR. IP66/IK10 rated

The VX-8M-OD-RIAW is 8 Megapixel, IP67 rated IP camera with a remote focus lens, allowing for flexibility on installation. In addition to being outdoor rated, this camera is also IK10 vandal resistant and has 120dB WDR and built-in 30m IR, making the VX-8M-OD-RIAW a versatile camera fitting most every outdoor installation requirement.

The VX-8M-OD-RIAW is compatible with the entire VIGIL Software Suite, including direct access through VIGIL Client and our mobile app View Lite II, as well as with VIGIL Central Management for remote health monitoring and notification.

The VX-8M-OD-RIAW also supports H.264, H.265 and dual streaming. These technologies, combined with VIGIL Server's Substream Motion Detection and RapidStream technologies allows this camera to be view remotely in both live and playback modes with minimal impact on your network. Coupled with the VIGIL™ Series of Network Video Recorders (NVR) and Video Management System (VMS) software, superior point-to-point hardware compression and decompression allows for maximum performance of streamed live video, providing better video quality, more concurrent streams and a lower overall hit to CPU performance.



### Key Features and Benefits

<b>Lens</b>	<b>3.6mm - 10mm</b>
<b>Resolution (MP)</b>	<b>8</b>
<b>H.264/H.265/MJPEG</b>	<b>✓</b>
<b>Wide Dynamic Range</b>	<b>120dB</b>
<b>IR Range</b>	<b>30m</b>
<b>IK10 Impact-Resistant (Vandal-Proof Camera)</b>	<b>✓</b>
<b>IP67 Weather-Resistant</b>	<b>✓</b>
<b>Base Analytics</b>	<b>✓</b>

### Typical Use Cases



**K-12  
EDUCATION**



**HOTEL &  
RESTAURANT**



**FINANCE &  
BANKING**

### What's in the Box

Template Sheet  
Torx Wrench  
Screw & Anchor  
Test Video Cable

Moisture Absorber &  
Guide

## Camera

Image Sensor	1/1.8" 8M CMOS
Lens	3.6mm-10mm/ F1.5
Motorized?	Yes
Angle of View	D:52.3°~112.9°, H:4, 5.7°~98.4°, V:25.9°~54.6°
Min Illum	Color : 0.09Lux / BW : 0 Lux (F1.5)
IR Range	30m
Shutter Time	1/15 ~ 1/32000
Day/Night	TDN (True Day & Night)
WDR	120dB

## Compression Standard

Video Compression	H.264, H.265, MJPEG
Bit Rate	100Kbps ~ 10Mbps
Video Streams	3840x2160p30 + 480p30 with H.264, H.265 + MJPEG

## Image

Max Resolution	3840(H)x2160(V)
Frame Rate	30fps

## Functions

Base Analytics Security	Tamper Detection, Presence Filters (Advanced Motion), Object Tracker, Network Disconnection, Temperature Critical
Protocols	HTTPS(SSL), IP filtering, 802.1x, Digest Authentication TCP/IP, UDP, AutoIP, RTP(UDP/TCP), RTSP, NTP, HTTP, HTTPS, SSL, DNS, DDNS, DHCP, FTP, SMTP, ICMP, SNMPv1/v2/v3(MIB-2), ONVIF
Sys. Compatibility	CGI API, ONVIF (Profile S)

## Physical

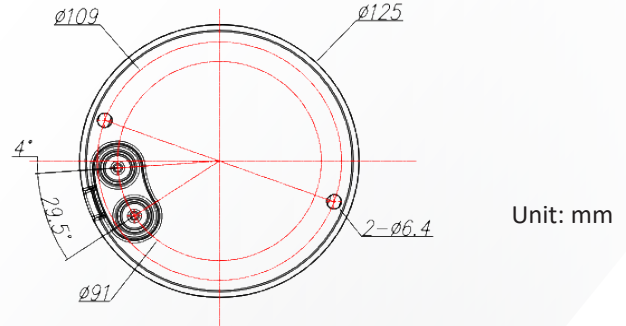
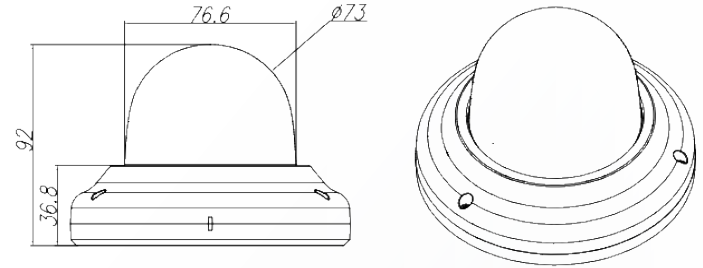
Op. Conditions	-30°C ~ 50°C (-22°F ~ 122°F)
Humidity	10-90% RH (non-condensing)
Weather Proofing	IP67
Impact Protection	IK10
Housing Material	Aluminum
Dome Material	Lexan 143R
Dimensions (D x H)	125 mm x 92 mm
Weight	0.52 kg
Local Storage	128GB Max. Micro SD / SDHC / SDXC

## Electrical

Power Supply	DC12V PoE IEEE 802.3af Class3
Power Consumption	DC12V 9.3W / PoE 11.6W

## Certifications and Compliance

FCC Part 15, Subpart B, Class A  
 CAN ICES-3 (A)/NMB-3(A)  
 UL and ULC Safety  
 CE  
 NDAA Compliant



Unit: mm

## Interface

Communication	RJ45(10/100BASE-T)
Alarm Input	1 [1.0Vms, 3K ohm]
Alarm Output	1
Video Output	1 CVBS 1.0V p-p(75ohm)
Audio Input	1[1.0Vms, 3K ohm]
Audio Output	1

## Part Number

VX-8M-OD-RIAW	Base Camera
VX-8M-OD-RIAW-A	Add Advanced Analytics License *

## Warranty

Four (4) years

## Recommended Mounts

VX-PM-BC10	Pendant Mount
VX-JB-BJC03	Junction Box
VX-WM-BW10	Wall Mount
VX-GP-02	Gang Plate
VX-BC10-KIT	Pendant Mount Kit

\* **NOTE:** - A advanced analytics license can be added to a Base Camera at any time to unlock advanced analytics functionality. Speak to a 3xLOGIC Sales Associate for more info.