

VISIX 5MP, Fixed 4mm Lens Outdoor Mini Bullet with IR and True WDR, IP67 rated

The VX-5M4-MB-IW is 5 Megapixel, indoor/outdoor, mini-bullet IP camera. This camera is IP67 Weather resistant, has 120dB WDR and built-in IR making the VX-5M4-MB-IW a versatile camera fitting most every entry-level indoor/outdoor installation requirements.

The VX-5M4-MB-IW is compatible with the entire VIGIL Software Suite, including direct access through VIGIL Client and our mobile app View Lite II, as well as with VIGIL Central Management for remote health monitoring and notification.

The VX-5M4-MB-IW also supports dual streaming. This combined with VIGIL Server's Substream Motion Detection and RapidStream technologies allows the camera to be viewed remotely in both live and playback modes with minimal impact on your network.



Typical Use Cases



**K-12
EDUCATION**



**WAREHOUSE &
DISTRIBUTION**



**MALL/MEDIUM
BUSINESS**

Key Features and Benefits

VIGIL CLOUD™	✓
Lens	4mm Fixed
Resolution (Megapixels)	5
Infrared(Low-Light, No-Light)	✓
H.264/H.265/MJPEG	✓
Digital Wide Dynamic Range	✓
IP67 Weather-Resistant(Outdoor)	✓
Max Resolution	2560x1440
4 Year Warranty	✓
Base Analytics	✓

What's in the Box

Template Sheet
Torx Wrench
Waterproof Cap & Gasket
Screws & Anchors

Camera

Image Sensor	1/2.8" 5.14M CMOS (Sony Starvis)
Lens	4.0mm F2.0
Motorized?	No
Angle of View	D : 101°, H : 81°, V : 43°
Min Illum	0.06 Lux, 0Lux with IR (F2.0)
IR Range	50m
Shutter Time	1/30~1/32000
Day/Night	TDN (True Day & Night)
WDR	WDR - 120dB

Compression Standard

Video Compression	H.264, H.265, MJPEG
Bit Rate	100Kbps ~ 10Mbps
Video Streams	2560x1440p30 + 480p30

Image

Max Resolution	2560x1440
Frame Rate	30fps

Functions

Base Analytics	Tamper Detection, Presence Filters (Advanced Motion), Object Tracker, Network Disconnection, Temperature Critical
Local Storage	Micro SD / SDHC / SDXC
SD Card Capacity	128GB
Security Protocols	HTTPS(SSL), IP filtering, 802.1x, Digest Authentication TCP/IP, UDP, AutoIP, RTP(UDP/TCP), RTSP, NTP, HTTP, HTTPS, SSL, DNS, DDNS, DHCP, FTP, SMTP, ICMP, SNMPv1/v2/v3(MIB-2), ONVIF
Sys. Compatibility	CGI API, ONVIF (Profile S)

Physical

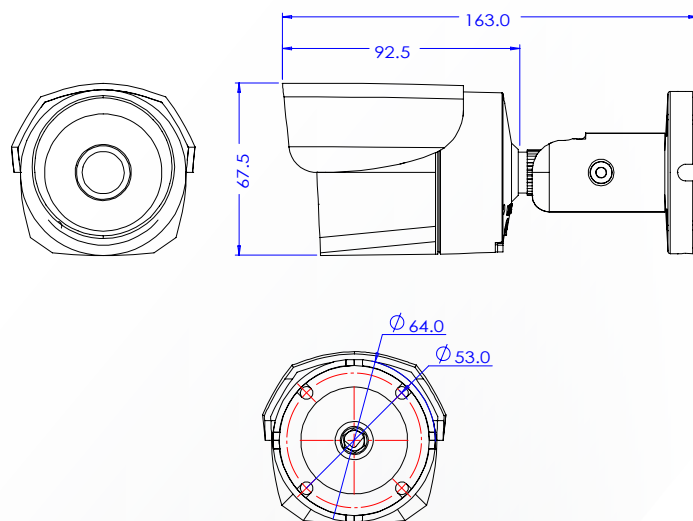
Op. Conditions	-30°C ~ 50°C (-22°F ~ 122°F)
Humidity	10~90% RH (non-condensing)
Weather Proofing	IP67
Housing Material	Aluminum
Window Material	PC 1811, 835
Dimensions (D x H)	163 mm x 67.5 mm
Weight	0.5kg

Electrical

Power Supply	DC DC12V / POE IEEE 802.3af class2
Power Consumption	DC12V Max 6.2W PoE Max 7.9W

Certifications and Compliance

FCC Part 15, Subpart B, Class A
CAN ICES-3 (A)/NMB-3(A)
UL and ULC Safety
CE
NDAA Compliant



Interface

Communication	RJ45(10/100BASE-T)
---------------	--------------------

Part Number

VX-5M4-MB-IW	Base Camera
VX-5M4-MB-IW-A	Add Advanced Analytics License *
-C128	VIGIL CLOUD Capable with 128GB SD Card
-C256	VIGIL CLOUD Capable with 256GB SD Card
-S128	All-in-One Functionality with 128GB SD Card
-S256	All-in-One Functionality with 256GB SD Card
-S512	All-in-One Functionality with 512GB SD Card
-S1TB	All-in-One Functionality with 1TB SD Card

Warranty

Four (4) years

Recommended Mounts

VX-JB-BJC07	Junction Box
-------------	--------------

* NOTE: - A advanced analytics license can be added to a Base Camera at any time to unlock advanced analytics functionality. Speak to a 3xLOGIC Sales Associate for more info.