

## **VISIX 2MP Outdoor Dome with Remote Focus (2.8-12mm), IR, Audio and Alarm I/O, True WDR, and Heater**

This rugged two (2) megapixel IP outdoor vandal dome camera is the perfect combination of form and function. With its infrared LEDs and its heated enclosure, the VX-2M-OD-RIAWH delivers high-definition video for network video surveillance applications requiring superior clarity and detail in varying lighting and weather conditions.

The IP68-rated enclosure provides protection in the harshest environments for superior dust and water resistance. This vandal dome camera allows for easy installation in a wide variety of areas. Designed to continue functioning at top performance at temperatures as low as -40°C (-40°F) and as high as 50°C (122°F), this camera's heater allows for a wide range of applications.

When coupled with the VIGIL™ Series of digital video recorders and Video Management System (VMS) software, superior point-to-point hardware compression and decompression allows for maximum performance of streamed live video providing better video quality, more concurrent streams and a lower overall consumption of CPU performance.

### Typical Use Cases



**RETAIL**



**HOTEL &  
RESTAURANT**



**INDUSTRIAL**



### Key Features and Benefits

<b>Resolution</b>	<b>2 MP(1920 x 1080)</b>
<b>Frame Rate</b>	<b>30 fps</b>
<b>Compression</b>	<b>H.265/H.265/MJPEG</b>
<b>Lens</b>	<b>2.8-12mm Varifocal</b>
<b>Remote Focus</b>	✓
<b>WDR</b>	<b>120 dB</b>
<b>On-Camera Storage</b>	<b>128GB</b>
<b>Built-in IR</b>	✓
<b>Outdoor</b>	<b>IP68</b>
<b>Impact</b>	<b>IK10</b>
<b>Warranty</b>	✓
<b>Base Analytics</b>	✓

### What's in the Box

Template Sheet  
Torx Wrench  
Screws & Anchors  
Test Video Cable  
Moisture Absorber

## Camera

Image Sensor	1/2.8" 2.1M CMOS (Sony Starvis)
Lens	2.8-12mm F1.4
Motorized?	Yes
Angle of View	D:41°~113°, H:35°~96°, V:20°~51°
Min Illum	0.02Lux, 0Lux with IR (F1.4)
IR Range	30m
Shutter Time	1/15 ~ 1/32000
Day/Night	TDN (True Day & Night)
WDR	WDR - 120dB

## Compression Standard

Video Compression	H.264, H.265, MJPEG
Bit Rate	100Kbps ~ 10Mbps
Video Streams	1080p30 + D1(704x480 or 704x576) p30

## Image

Max Resolution	1920 x 1080
Frame Rate	30 fps

## Functions

Base Analytics	Tamper Detection, Presence Filters (Advanced Motion), Object Tracker, Network Disconnection, Temperature Critical
Local Storage	Micro SD / SDHC / SDXC
SD Card Capacity	128GB
Audio Compression	G.711
Security Protocols	HTTPS(SSL), IP filtering, 802.1x, Digest Authentication, TCP/IP, UDP, AutoIP, RTP(UDP/TCP), RTSP, NTP, HTTP, HTTPS, SSL, DNS, DDNS, DHCP, FTP, SMTP, ICMP, SNMPv1/v2/v3(MIB-2), ONVIF
Sys. Compatibility	CGI API, ONVIF (Profile S)

## Physical

Op. Conditions	-40°C ~ 50°C (-40°F ~ 122°F)
Humidity	10-90% RH (non-condensing)
Weather Proofing	IP68
Impact Protection	IK10
Housing Material	Aluminum
Dome Material	Lexan 143R
Dimensions (D x H)	Ø 139 mm x 125.4mm
Weight	1.25kg

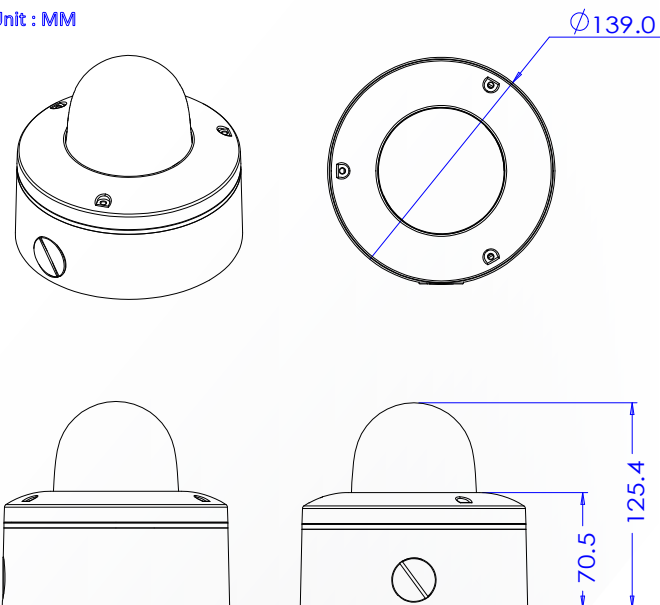
## Electrical

Power Supply	DC DC12V POE IEEE 802.3af class3
Power Consumption	DC12V Max 7.5W PoE Max 9.5W 1[1.0Vms, 3K ohm]

## Certifications and Compliance

FCC Part 15, Subpart B, Class A  
CAN ICES-3 (A)/NMB-3(A)  
UL and ULC Safety  
CE  
NDAA Compliant

Unit : MM



## Interface

Communication	RJ45(10/100BASE-T)
Alarm Input	1
Alarm Output	1
Video Output	1 [CVBS 1.0V p-p (75Ω)], 4:3 aspect ratio
Audio Input	1[1.0Vms, 3K ohm]
Audio Output	1

## Part Number

VX-2M-OD-RIAWH Base Camera  
VX-2M-OD-RIAWH-A Add Advanced Analytics License \*

## Warranty

Four (4) years

## Recommended Mounts

VX-WM-BW05	Wall Mount
VX-PM-BC07	Pendant Mount
VX-GP-02	Gang Plate
VX-FM-BR05	Flush Mount Adaptor

\* NOTE: - A advanced analytics license can be added to a Base Camera at any time to unlock advanced analytics functionality. Speak to a 3xLOGIC Sales Associate for more info.