

VISIX 6MP Outdoor Fisheye with IR, Audio w/Mic, Alarm I/O, IP66/IK9 Rated.

This 360° IP camera provides affordable, high-definition 100% coverage with the ability to digitally pan, tilt and zoom (PTZ) to any location. The VX-6M-360-IAW is ideal for low or no light environments. With a 6.4MP image processor capable of displaying up to 2592 x 1944 pixels when dewarped, this vandal-resistant network dome camera is designed to integrate seamlessly with the full family of VIGIL Video-Management System (VMS) software modules.

3xLOGIC Panoramic De-warping Software allows users to achieve real-time viewing of an entire scene from a single camera. Users can simultaneously view a panoramic 360° image as well as three (3) distortion-corrected images on individual subset screens each supporting full-function digital PTZ capabilities. The flush-mount format allows for easy and secure installation in a wide variety of indoor applications.

The VX-6M-360-IAW is packed with features you might need for nearly any application including: motion detection, compatibility with a wide variety of standardized network protocols, built in microphone for two way voice, and 120dB WDR. In addition, this camera is designed to continue functioning at top performance at temperatures as low as -30°C (-22°F) and as high as 50°C (122°F) allowing a wide range of applications.

When coupled with the VIGIL™ Series of digital video recorders (DVR) and Video Management System (VMS) software, superior point-to-point hardware compression and decompression allows for maximum performance of streamed live video providing better video quality, more concurrent streams and a lower overall hit to CPU performance.



Typical Use Cases



RETAIL



**K-12
EDUCATION**



**WAREHOUSE &
DISTRIBUTION**

Key Features and Benefits

VIGIL CLOUD™	✓
Lens	1.55mm @F2.5
Megapixel (Fisheye / Dewarped)	6.4MP / 5MP
Dewarped Resolution	2592 x 1944
360° Field of View	✓
Infrared(Low-Light/No-Light)	✓
H.264, H.265, MJPEG Compression	✓
Two-Way Audio	✓
Impact / Weather Resistance	IK9 / IP66
Local Storage	1TB Max. MicroSD
Wide Dynamic Range (WDR)	✓
Base Analytics	✓

What's in the Box

Template Sheet	Screw & Anchor
Torx Wrench	Mount Bolt & Nut
Waterproof Cap & Gasket	Mount Plate

Camera

Image Sensor	1/1.8" 6.4M CMOS (Sony Starvis)
Lens	1.55mm, F2.5
Motorized?	No
Angle of View	D:185°, H:185°, V:185°
Min Illum	0.09Lux, 0Lux with IR (F2.5)
IR Range	30m
Shutter Time	1/15 ~ 1/32000
Day/Night	TDN (True Day & Night)
WDR	120dB

Compression Standard

Video Compression	H.264, H.265, MJPEG
Bit Rate	100Kbps ~ 10Mbps
Video Streams	2592x1944p30 + 480p30

Image

Max Image Resolution	2592(H) X 1944(V)
Frame Rate	30fps

Functions

Base Analytics	Tamper Detection, Presence Filters (Advanced Motion), Object Tracker, Network Disconnection, Temperature Critical
Audio Compression	G.711
Security	HTTPS(SSL), IP filtering, 802.1x
Protocols	TCP/IP, UDP, AutoIP, RTP(UDP/TCP), RTSP, NTP, HTTP, HTTPS, SSL, DNS, DDNS, DHCP, FTP, SMTP, ICMP, SNMPv1/v2/v3(MIB-2), ONVIF
System Compatibility	CGI API, ONVIF (Profile S)

Physical

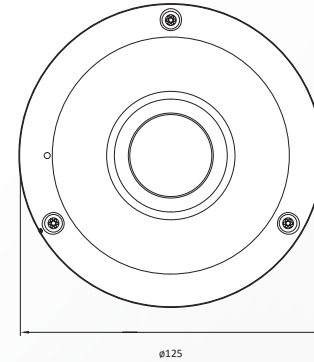
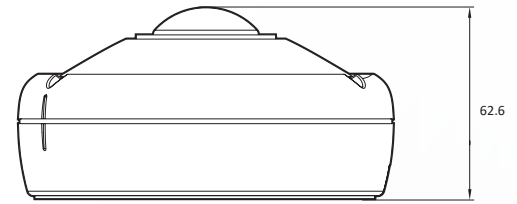
Operating Conditions	-30°C ~ 50°C (-22°F ~ 122°F)
Humidity	10~90% RH (non-condensing)
Weather Proof Rating	IP66
Impact Protection	IK9
Housing Material	Aluminum
Dome Material	Lexan 143R
Dimensions (D x H)	125 mm x 65.9 mm
Weight	0.5kg
Local Storage	1TB Max. Micro SD / SDHC / SDXC

Electrical

Power Supply	DC DC12V / POE IEEE 802.3af
Power Consumption	DC12V Max7.5W / PoE Max8.7W

Certifications and Compliance

FCC Part 15, Subpart B, Class A
 CAN ICES-3 (A)/NMB-3(A)
 UL and ULC Safety
 CE
 NDAA Compliant



Unit:mm



Part Number

VX-6M-360-IAW	Base Camera
VX-6M-360-IAW-A	Add Advanced Analytics License *
VX-6M-360-IAW-C128	VIGIL CLOUD Capable with 128GB SD Card
-C256	VIGIL CLOUD Capable with 256GB SD Card
-S128	Add All-in-One Edge functionality with 128GB SD Card
-S256	Add All-in-One Edge functionality with 256GB SD Card
-S512	Add All-in-One Edge functionality with 512GB SD Card
-S1TB	Add All-in-One Edge functionality with 1TB SD Card

Interface

Communication	RJ45(10/100BASE-T)
Alarm Input	1
Alarm Output	1
Audio Input	1 (Built in Mic)
Audio Output	1

Warranty

Four (4) years

Recommended Mounts

VX-PM-BC10	Pendant Mount
VX-CM-BC04	Corner Mount
VX-POLE-BP04	Pole Mount
VX-JB-BJC03	Junction Box
VX-WM-BW10	Wall Mount
VX-GP-02	Gang Plate

* NOTE: - A advanced analytics license can be added to a Base Camera at any time to unlock advanced analytics functionality. Speak to a 3xLOGIC Sales Associate for more info.