

## VISIX VX-2M-CPIR-IAW 2MP Indoor PIR Cube Cam

### Quick Start Guide

Ver. 1.1 / 2021.08

Before installing and using the camera, please read this manual carefully.  
Be sure to keep it handy for future reference.



a. This device complies with Part 15 of the FCC Rules. Operation is subject to the following two conditions:

1. This device may not cause harmful interference
2. This device must accept any interference received, including interference that may cause undesired operation

**Note:** This equipment has been tested and found to comply with the limits for a Class B digital device, pursuant to part 15 of the FCC Rules. These limits are designed to provide reasonable protection against harmful interference in a residential installation. This equipment generates, uses and can radiate radio frequency energy and, if not installed and used in accordance with the instructions, may cause harmful interference to radio communications. However, there is no guarantee that interference will not occur in a particular installation. If this equipment does cause harmful interference to radio or television reception, which can be determined by turning the equipment off and on, the user is encouraged to correct the interference by one of the following measures: Reorient or relocate the receiving antenna, increase separation between the equipment and receiver, connect the equipment to an outlet on a different circuit or consult a dealer or authorized radio / TV technician.

b. This device complies with ICES-3 (A)/NMB-3(A) and RSS-247 of Industry Canada Rules. Operation is subject to the following two conditions: (1) This device may not cause harmful interference, and (2) this device must accept any interference received, including interference that may cause undesired operation.

c. This device is UL and ULC E467574 (Safety) certified

d. This device complies with CE 2014/30/EU – EMC Directive, 2015/863/EU RoHS3 as part of 2011/65/EU RoHS

e. This device complies with UKCA Electromagnetic Compatibility Regulations 2016 and UKCA Restriction of the of Certain Hazardous Substances in Electrical and Electronic Equipment Regulations 2012

f. This device complies with WEEE

## Safety Information

These instructions are intended to ensure that the user can use the product correctly to avoid danger or property loss.

If the product is not functioning properly or damaged, contact the service center or purchasing office.

**CAUTION :** Risk of explosion if battery is replaced by an incorrect type.  
Dispose of used of used batteries according to the instructions.

**ATTENTION :** Il y a risque d'explosion si la batterie est remplacée par une batterie de type incorrect.  
Mettre au rebut les batteries usagées conformément aux instructions.



**WARNINGS :** Serious injury or death may be caused if any of these warnings are neglected.

### BATTERY

1. There is a risk of explosion if the battery is incorrectly replaced. The battery should be replaced only with the same battery.
2. Used batteries must be disposed of according to local regulations or battery manufacturer's instructions. Disposing of in a fire or in a hot oven, or mechanically crushing and cutting may cause an explosion.
3. Leaving the battery in a very high temperature or low air pressure environment may result in an explosion or leak of flammable liquids or gases.

### POWER

1. Use only standardized adapters written in the manual. Incorrect connection of the power source can cause fire, electric shock, or failure.
2. If there is smoke or a strange smell from the power source, disconnect the power immediately and contact the service center or purchasing office. If you continue to use it as it is, it can cause fire and electric shock.
3. Disconnect the power plug from the outlet before connecting to the power terminal block.

### INSTALLATION

1. Install it according to the temperature and humidity environment suitable for the product specifications. Otherwise, it can cause fire and electric shock.
2. Thunder and lightning can cause problems with the camera. When installing, be careful to minimize damage caused by lightning such as grounding.
3. Do not place conductive materials (drivers, coins, metal sticks, etc.) and water-filled containers on or near the camera. This can lead to fire, electric shock, injury should the camera mount become unstable and the camera falls.
4. If you want to move the installed product, turn off the power and move it or reinstall it. Failure to de-power and disconnect wiring can cause fire and electric shock.

5. Do not install it in places where there is a lot of moisture, dust, soot, etc. This can cause fire and electric shock.
6. Avoid places where direct sunlight comes in or where heat comes out, such as heating appliances. This can cause fire and electric shock.

### CLEANING

1. Do not spray water directly on the product or its parts when cleaning. This can lead to fire and electric shock.



**CAUTIONS :** Injury or equipment damage may be caused if any of these cautions are neglected.

### POWER

1. Use the power line after fixing it firmly to the power connection terminal. Incomplete connection can cause fire.
2. Do not extend the adapter output cable. If you need to install the power cable extension, please contact your sales representative.
3. Use insulated power for PoE connected external power.

### INSTALLATION

1. It is recommended not to touch the lens when installing the product as the factory ships with a focus adjustment completed during the manufacturing completion inspection phase.
2. Avoid installing cameras facing bright lights like sunlight. This causes damage to the image sensor.
3. Make sure it safe and secure when installing camera on the wall or ceiling. An improperly secured camera can cause injury when falling
4. Do not connect multiple cameras to one adapter. Excess capacity causes abnormal heat and fire.
5. Wear protective gloves when installing/uninstalling the camera. High temperature on the surface of the product may cause burns.
6. Don't drop or shock the product. Please stay away from places where vibration is severe or magnet types are present.
7. Install in a well-ventilated place. Overheating due to poor ventilation can cause fire / failure.

### CLEANING

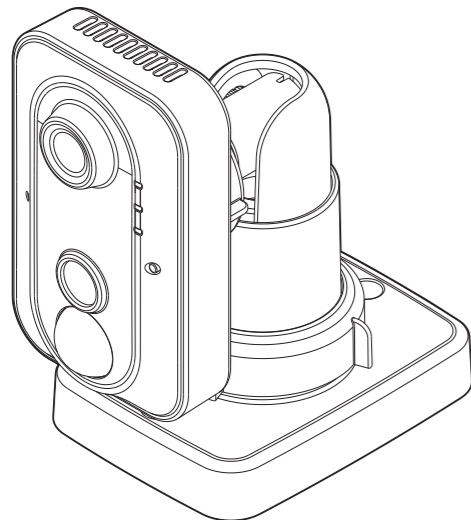
1. Wipe the contaminated surface with a clean, soft, dry cloth or wet the soft, dry cloth to prevent water from flowing, then wipe the contaminated area.

## Installation and Use Precautions

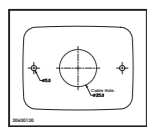
1. The battery (battery pack or equipped battery) must not be exposed to excessive heat such as sunlight, fire, etc.
2. Do not disassemble the camera at your discretion.
3. If you forcefully install any part of the camera, damage can cause the camera to malfunction and fail and can lead to other safety hazards (fire, electric shock, etc..)
4. Do not punch or shake the camera and be careful not to damage the camera with careless storage or malfunction.
5. Be careful not to install the camera in a rainy or humid place, and do not store it in a wet or humid environment.
6. Installing or using the product in water can cause serious product failure.
7. Do not install the product if there is chemical or vapor in the place where the product is installed, or if they can potentially be generated at the install site.
8. Be careful not to get chemicals on the surface of the product when installing the product. Chemical solvents such as cleaning agents and adhesive components can cause irreparable damage to the surface of the product.
9. Do not install it near a kitchen or cooking / prep surface as edible oil such as soybean oil can also cause product damage and deformation.
10. Be careful not to get foreign substances in the Micro SD card terminal. If there is any foreign substance, wipe it away with a soft cloth.
11. Data will not be saved at the end of the life of the Micro SD card. If SD card health has diminished, purchase a new Micro SD card.
12. Moisture may occur in the glass of the camera when the new product box is opened (or when the product is initially running). The generated moisture is removed by a Gore vent attached to the camera within hours of the power connection.
13. For products enclosed with a desiccant or card-type absorbent, please install it according to the manual.
14. Use only with cart, stand, tripod, bracket, or table specified by the manufacturer, or sold with the apparatus.
15. Unplug this apparatus when a cart is used. Use caution when moving the cart/apparatus combination to avoid injury from tip-over.



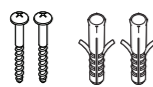
## Step 1. Product & Accessories



Camera

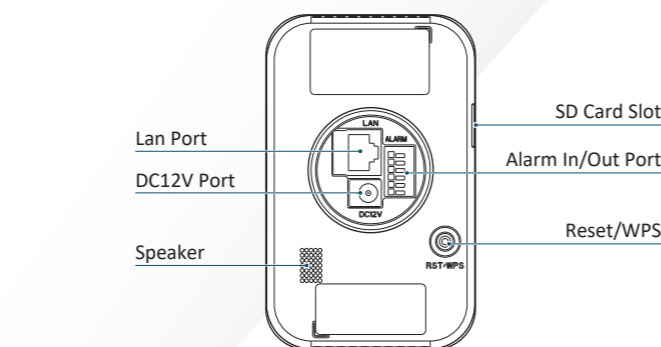
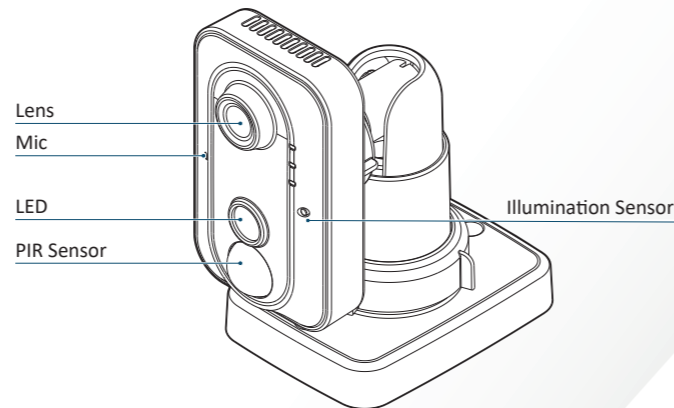


Template Sheet



Screw & Plastic Anchor-2pcs

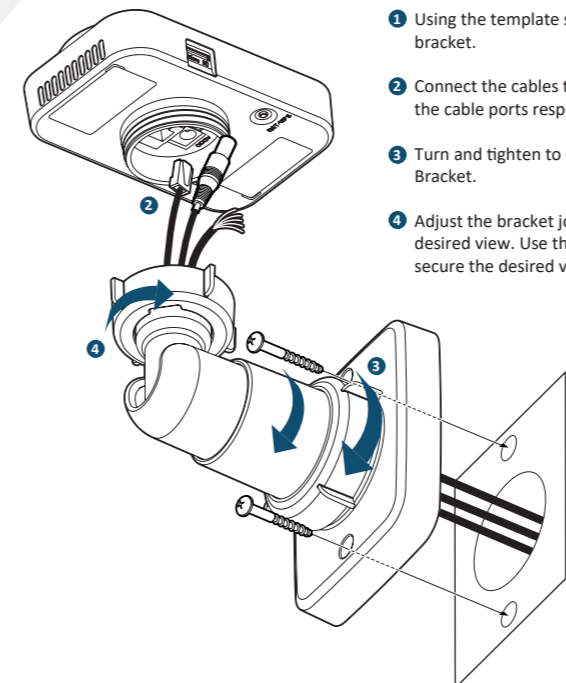
## Step 2. Part Name



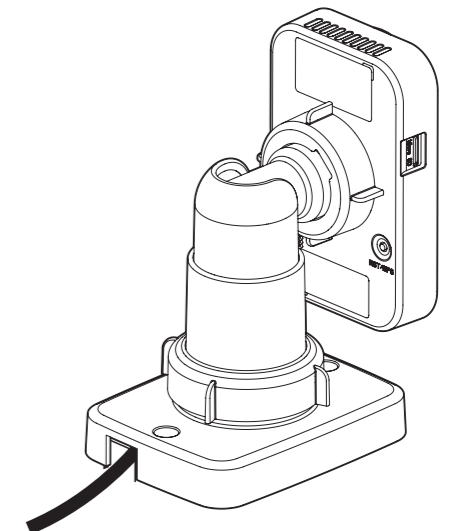
## Step 3. Installation

Before installing your camera, please must read the following safety precautions.

1. You have to check whether the location can bear five times of the weight of your camera.
2. Do not let the cable be caught improperly or kink and do not allow the electric line cover to be damaged. Otherwise it may cause a malfunction or fire.
3. When installing your camera, do not allow any person to approach the installation site. If you have any valuable things near the site, move them



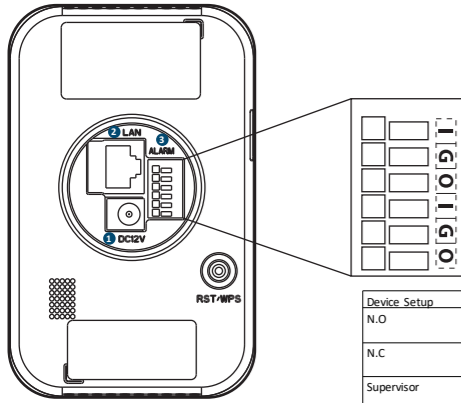
- 1 Using the template sheet, install the bracket.
- 2 Connect the cables through the Body to the cable ports respectively.
- 3 Turn and tighten to connect Body to Bracket.
- 4 Adjust the bracket joint to achieve desired view. Use the fastening nut to secure the desired view.



- ⊠ **Reset to the Factory Default**  
Press the reset button for 5 seconds to return the camera to factory default settings

- ⊠ **Warning:**  
If you press the 'Reset' button, you will lose all setting data. If needed, please, note camera settings before proceeding with reset process.

## Step 4. Cabling



Device Setup	State	Input Level	Value
N.O	Close	0V ~ 2.3V	1
		2.3V ~ 3.3V	0
		3.3V ~ 3.3V	0
N.C	Open	0V ~ 1.0V	0
		1.0V ~ 3.3V	1
Supervisor	Up	0V ~ 1.0V	0
		1.0V ~ 2.5V	1
		2.5V ~ 3.3V	2
		3.3V ~ 2.3V	2
		2.3V ~ 0.8V	1
	Down	0.8V ~ 0V	0

### 1 Power Connection

Please, check the voltage and current capacity of rated power carefully.

Rated Power	Power Consumption	PoE
DC 12V	DC : 4.2W PoE : 6.72W	IEEE 802.3af Class3

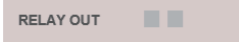
### 2 Network Connection

### 3 Alarm In

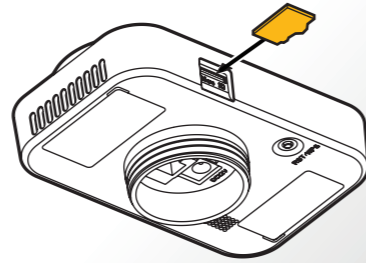
Unlike general alarm functions, device types are classified into N.O / N.C / Supervisor according to the level of voltage supplied to both input and Gnd.

### Alarm Out

In the RELAY OUT menu of the web interface, the left is 1 channel / the right is 2 channels, and if checked, it is closed between OUT and GND of the corresponding channel, and when unchecked, it is open. At this time, if checked, the JIG's OUTPUT check LED turns on.



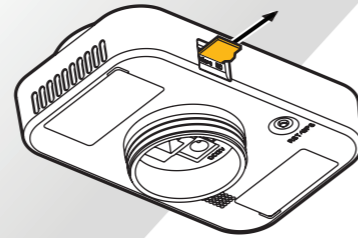
## Step 5. Insert / Remove SD Card



### 1 Inserting an SD Memory Card

Insert the SD card in the arrow direction, as depicted.

Do not insert the SD memory card with excessive force when upside down. This can damage the card. Always pay attention to the card orientation before inserting.

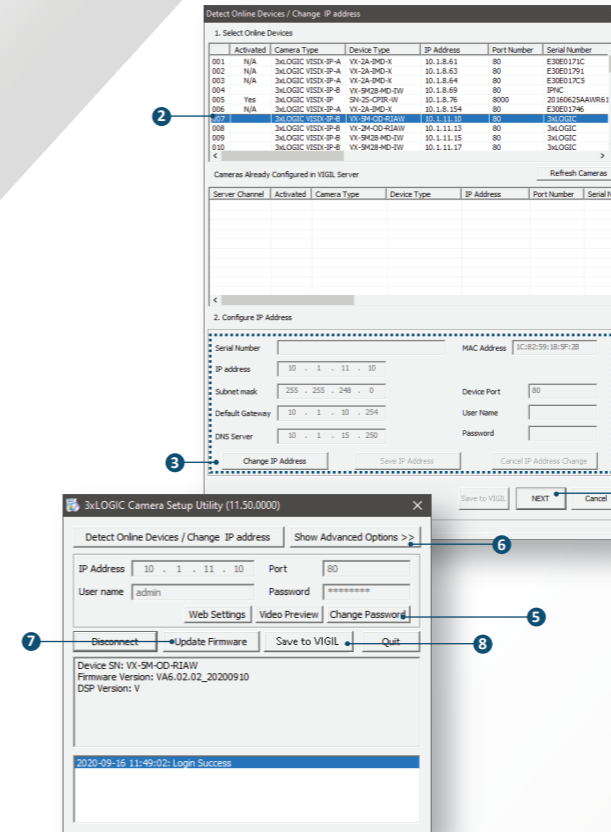


### 2 Removing an SD Memory Card

Gently press down on the exposed end of the memory card as shown in the diagram to eject the memory card from the slot.

Pressing too hard on the SD memory card can cause the card to shoot out uncontrollably from the slot when released. If you have saved data in the SD memory card, removing the SD memory card prior to setting record to OFF may cause damage to the card.

## Step 6. Identification / Adding Camera to VIGIL Server



### 1 Run the 3xLOGIC Camera Setup Utility

- If you are setting up the camera as an all-in-one device skip to Step 8b. If interfacing the camera with VIGIL Server, please proceed. Download and install the latest version of the utility (at [www.3xlogic.com](http://www.3xlogic.com)) on the VIGIL Server system. The VIGIL Server should be on the same LAN network as the camera(s) you are adding. If the camera was purchased as a standalone device, run the utility on a PC on the same network as the camera and skip to Step vi below.
- Navigate to *Start > Programs > VIGIL-Utilities* and launch the VIGIL Firewall Utility. Create firewall rule for **VISIXIPSetup Utility** if one has not already been created.
- Launch VIGIL Server, navigate to *Settings > Cameras*.
- Select the desired camera channel from the treeview.
- Open Network Camera Settings and set the *Type* to **VISIX-IP-B**.
- Click the **Detect Camera (Detect Online Devices)** button. The utilities' *Detect Online Devices* window will now launch with a list of detected cameras on the network.

### 2 Identify your Camera

Select the desired camera from the list of devices.

### 3 Change IP Info (Optional for non-DHCP environments)

The camera will use DHCP by default and should be assigned an IP by your network automatically. If the network lacks DHCP and requires a static IP for the camera, click **Change IP Address** and edit the camera's IP info. Default username and password of **admin / admin** will be required to change IP info. Enter the credentials and click **Save IP Address** after making changes to save the new IP information.

- Default TCP/IP information (set after 90 seconds if no DHCP is detected).
  - IP: 192.168.1.80
  - Subnet Mask: 255.255.255.0
  - Gateway: 192.168.1.1
  - DNS : 168.126.63.1

- After making and saving any IP changes, confirm the camera is still selected in the devices list then click **Next**. The main utility window will now launch.

### 5 Change Password

- Default USER / PW : admin / admin

After the main utility window launches with the camera selected, enter in the default username and password of **admin / admin** then click **Connect**. Once the utility states *Login Success*, click **Change Password**. A pop-up will deploy. Enter and confirm a unique password, then click **OK** to complete the change. A pop-up will confirm success.

The default user ID and password must be changed for security reasons. Video will not stream from the camera until the default admin password is changed.

The ID and PW will be set to defaults when a "factory reset" is performed on the camera.

### 6 Show Advanced Options (Optional)

Click **Show Advanced Options** to edit video stream (main stream, sub stream) settings for the camera.

### 7 Update Firmware (Optional).

If you have the latest firmware file downloaded (contact 3xLOGIC support for latest available firmware), click **Update Firmware**, locate the firmware file on your system and click **Open**. The utility will install the firmware on the camera.

### 8 a. Finalizing Setup - Adding to VIGIL Server

If adding the camera to VIGIL Server software, click **Save to VIGIL**. The camera will occupy the camera channel you selected in Step 1 (iv) of this section.

### b. Setup - Standalone

If using as a standalone All-in-One device, download the VISIX Tech Setup app on your mobile device (iOS or Android) and use the app to scan the QR code on the camera. Follow the instructions in the app to complete setup of your camera.

### 8 Rebooting or Resetting the Camera to Factory Settings

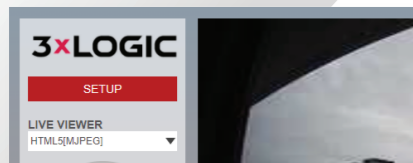
If a factory reset is required, login to the camera's browser interface (enter IP into a browser URL bar and login to the camera) then navigate to *Setup > System > Factory Reset*. To perform a basic camera restart, Navigate to *Setup > System > Restart*

## Step 7. WiFi Setup

The camera's WiFi can be configured after identifying and locating the camera on your network. Once WiFi is enabled, the camera can be configured to use Wireless, Wired or Automatic (camera chooses the best connection available) network modes. To setup Wifi for your camera, follow the steps below:

### 1 Login to Cameras Web UI

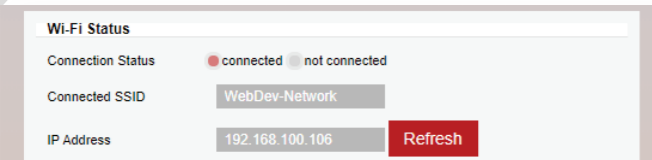
- Enter the camera's IP Address (use the VISIX IP Setup Utility to obtain IP information for the camera) into a web browser URL bar.
- A login window will deploy. Login to the camera using the credentials created during camera identification (Step 6). The camera's landing page will deploy.
- Click **Setup** to open the *Settings* menu.



### 2 Configure WiFi

- From the Settings window, navigate to *Network > WiFi Settings*.
- Select the desired network (SSID) from the list.
- Enter the password (network security type is autodetected by the camera).
- Click **Apply** to connect to the chosen network.

Under the WiFi Status section of the settings window, *Connection Status*, *Network (SSID) Name* and *IP Address* will be displayed. When connection is successful, the *Connected* indicator will be marked as pictured below.



**NOTE:** After enabling WiFi, you will need to adjust the IP Address in the camera's *VIGIL Server Network Camera Settings* if the camera has been previously added to VIGIL Server. This IP will change when switching from wired to wireless and vice versa.



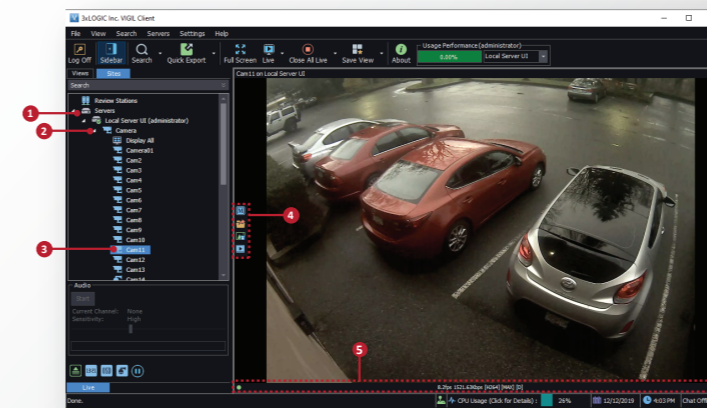
If desired, the user can set the network mode under the *Select Network* section.

Set to **Wired** to use the ethernet / LAN connection only.  
Set **Wireless** to use the configured WiFi / WAN network only.  
Set **Auto** to allow the camera to choose its current network type based on the best available connection. This mode should only be used for standalone applications.

If interfaced with a VIGIL Server, do not use *Auto* mode. The IP address for the device will change as network types are switched, causing signal loss with the camera in VIGIL Server. Select either *Wireless* or *Wired* when interfaced with a VIGIL Server.

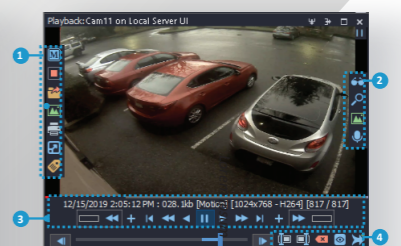
## Step 9. Viewing Camera in VIGIL Client

After adding the camera to VIGIL Server or setting the camera up as a standalone device, 3xLOGIC recommends VIGIL Client for viewing live and playback. Client's powerful toolset can be leveraged by users to thoroughly and quickly review camera footage and other data collected by a VIGIL Server or VIGIL All-in-One camera. After adding a VIGIL Server or standalone camera to VIGIL Client, refer to the steps in this section for details on viewing the camera's footage in VIGIL Client.



- After launching VIGIL Client, extend the **Servers** node located in the *Sites* tab treeview then double-click the desired VIGIL Server / standalone camera to reveal available devices and tools.
- For Standalone devices, simply double-click the camera name in the drop-down to open a live view from the camera (skip to step 4). For VIGIL Servers, expand the **Cameras** node to reveal a list of available devices interfaced with the Server.
- Double-click the desired camera. The camera's live stream will be automatically displayed in the viewing area.
- Live Edge Controls instantly grant the user access to common tools such as Capture Still Image, Instant Replay and Stream Type Selection.
- Stream information such as FPS rate, bitrate and CODEC type are listed when the cursor hovers over the bottom edge of the frame.

Select Instant Replay from the Live Edge Controls to open the last 5 minutes of footage from the camera or perform a playback search to review a custom time range of playback. A Playback viewer featuring the requested footage will deploy.



For further details on reviewing and exporting playback and other advanced features such as audio recording and two-way audio talk, POS Data OSD, Advanced analytics (VCA) and more, please visit [www.3xlogic.com](http://www.3xlogic.com) and consult the product documentation library for VIGIL Client and VCA support documentation.

## Disposal of Old Appliance / Safety



- When this crossed-out wheel bin symbol is attached to a product it means the product is covered by the European Directive 2002/96/EC.
- All electrical and electronic products should be disposed of separately from the municipal waste stream in accordance to laws designated by the government or the local authorities.
- The correct disposal of your old appliance will help prevent potential negative consequences for the environment and human health.
- For more detailed information about disposal of your old appliance, please contact your city office, waste disposal service or the shop where you purchased the product.

**FCC / IC Radiation Exposure Statement**  
This equipment complies with FCC and IC radiation exposure limits set forth for an uncontrolled environment. This equipment should be installed and operated with minimum distance 20 cm between the radiator and your body. This transmitter must not be co-located or operating in conjunction with any other antenna or transmitter (FCC).

**3XLOGIC**

11899 Exit 5 Parkway, Suite 100, Fishers, IN 46037, USA  
Pegasus Park, De Kleetlaan SBC, 1831 Diegem, Belgium  
1 Park Gate Close, Bredbury, Stockport, Cheshire, SK6 2SZ, UK  
helpdesk@3xlogic.com | www.3xlogic.com